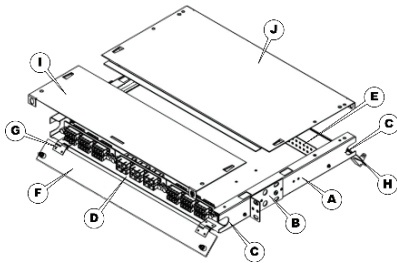


Adapter Plate Enclosures - Standard Series

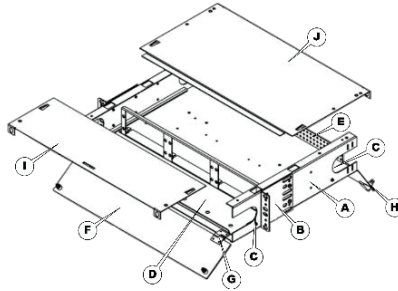
- 267-RES01-1C1 Optical Fiber Rack-Mount Enclosure, Standard-Series, LGX, Three-Position, 1 RMU
- 267-RES01-1F2 Optical Fiber Rack-Mount Enclosure, Standard-Series, LGX, Six-Position, 2 RMU
- 267-RES01-1L4 Optical Fiber Rack-Mount Enclosure, Standard-Series, LGX, Twelve-Position, 4 RMU



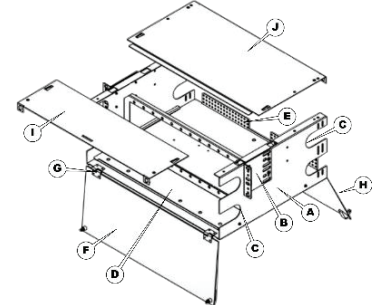
267-RES01-1C1



267-RES01-1F2



267-RES01-1L4



- A: main tray.
- B: mounting brackets (19-in/23-in), two depth levels.
- C: cable entry openings with grommets.
- D: retractable stage with frame for mounting adapter plates, cable/fiber management, options for mounting splice trays.
- E: cable anchor points with optional screw terminals for fixing cable strength members.

- F: front cover, hinged, removable, transparent plastic.
- G: split hinges.
- H: rear cover, hinged, removable, solid metal.
- I: front cover, removable.
- J: rear cover, removable.

KITTING

As-delivered:

267-RES01-1C1	267-RES01-1F2	267-RES01-1L4
<input checked="" type="checkbox"/> 1×enclosure (including fixed top cover parts)		
<input checked="" type="checkbox"/> 1×plastic transparent front door		
<input checked="" type="checkbox"/> 1×steel rear door		
<input checked="" type="checkbox"/> 1×slide-out tray		
<input checked="" type="checkbox"/> 1×set of mounting screws		
<input checked="" type="checkbox"/> 2×strength member anchors		
<input checked="" type="checkbox"/> 4×hook-and-loop cable tie wraps		
<input checked="" type="checkbox"/> 1×administration ID label		
<input checked="" type="checkbox"/> 4×cable entry port rubber bushings		
<input checked="" type="checkbox"/> 6×nylon cable ties		
<input checked="" type="checkbox"/> 1×laser radiation warning label		
<input checked="" type="checkbox"/> 1×shipping box		

Not included:

267-RES01-1C1	267-RES01-1F2	267-RES01-1L4
<input checked="" type="checkbox"/> adapter plates	<input checked="" type="checkbox"/> adapter plates	<input checked="" type="checkbox"/> adapter plates
<input checked="" type="checkbox"/> splice trays	<input checked="" type="checkbox"/> splice trays	<input checked="" type="checkbox"/> splice trays

Adapter Plate Enclosures - Standard Series

CHARACTERISTICS

Form-factor:	19-in/23-in rack/cabinet mounting standard (EIA-ECA-310-E).		
Mounting:	two depth levels.		
Adapter plate format:	LGX.		

Capacity:	267-RES01-1C1	267-RES01-1F2	267-RES01-1L4
Adapter plates:	3	6	12
Optical fibers:	up to 72	up to 144	up to 288
Splice trays:	2×24 fibers	6×24 fibers	12×24 fibers

Access:	front and rear, retractable stage.
Doors:	front: clear plastic, hinged, removable; rear: metal, hinged, removable.
Covers:	front and rear, removable (screw joints).
Cable management:	grommets entry points; perforated cable anchor plates; strength element anchor points (screw joints); set of cable ties and Velcro® tie wraps.
Fiber management:	spools, rings.
Materials:	1.5-mm (16-GA) CRS; black powder coating.
Threaded joints:	SI (metric).
Rack mounting:	set of USCU fasteners: 4×#10-32×5/8 cross-recessed pan-head machine screws, black; 4×#12-24×5/8 cross-recessed pan-head machine screws, black; 4×#12×9/16×3/8 plain round washers, nylon, black.
Environmental:	operating temperature: -20 °C–+70 °C (-4 °F–+158 °F); operating humidity: ≤95 % RH non-condensing.

Dimensions:	267-RES01-1C1	267-RES01-1F2	267-RES01-1L4
Width, flange:	483 mm (19 in)		
Width, frame:	433 mm (17 in)		
Height:	1 RMU 44 mm (1.75 in)	2 RMU 89 mm (3.50 in)	4 RMU 178 mm (7.00 in)
Depth:	354 mm (14.0 in)		
Weight:	6.6 kg (14.5 lb)	7.9 kg (17.5 lb)	9.8 kg (21.5 lb)