

COMPONENTS & ACCESSORIES

Splicing

Array Splice Cassette

265-CAS10-F06A2	Array Splice Cassette, 6-Position, up to 72 splices/fibers
265-CAS10-H08A2	Array Splice Cassette, 8-Position, up to 96 splices/fibers
265-CAS10-L12A2	Array Splice Cassette, 12-Position, up to 144 splices/fibers



CHARACTERISTICS

Compatible splicing:	fusion splice, heat-shrink protection sleeves.		
Capacity:	265-CAS10-F06A2: cartridges: 6; sleeves/fibers: non-stacked: 36; stacked: 72.	265-CAS10-H08A2: cartridges: 8; sleeves/fibers: non-stacked: 48; stacked: 96.	265-CAS10-L12A2: cartridges: 12; sleeves/fibers: non-stacked: 72; stacked: 144.
Materials:	base, cover, cartridge: body: aluminum alloy; finish: black powder coating; splice holder: PP (polypropylene); protection sleeves: external tubing: PAO (polyolefin); internal tubing: EVA (ethylene-vinyl acetate); rod: stainless steel.		
Sleeve size:	outer diameter: 2.5 mm (0.1 in); length: 40 mm (1.6 in);		
Sleeve shrinking t°:	≥100 °C (212 °F).		
Mounting:	2 × M3×0.5×5 CTS machine screws; 2 × M3×0.5 hex nuts, thin; mounting hole distance: 42 mm ctc.		
Environmental:	operating temperature: -20 °C–+70 °C (-4 °F–+158 °F); operating humidity: ≤95 % RH non-condensing.		
Dimensions:	265-CAS10-F06A2: W: 70 mm (2.8 in); D: 130 mm (5.1 in); H: 30 mm (1.2 in).	265-CAS10-H08A2: W: 90 mm (3.5 in); D: 130 mm (5.1 in); H: 30 mm (1.2 in).	265-CAS10-L12A2: W: 125 mm (4.9 in); D: 130 mm (5.1 in); H: 30 mm (1.2 in).
Weight:	265-CAS10-F06A2: 200 g (7.1 oz)	265-CAS10-H08A2: 240 g (8.5 oz)	265-CAS10-L12A2: 320 g (11.3 oz)
Compliance:	Telcordia GR-771-CORE; ANSI/UL 94 V-2; RoHS.		
Compatibility:	VC fiber 267-RES Series; VC fiber 268-STD Series; VC fiber 267-REB Series; VC fiber 268-EZX Series; VC fiber 267-REP Series; VC fiber 268-EZV Series.		



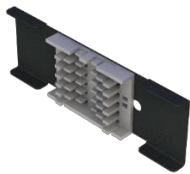
265-CAS10-F06A2 – AS DELIVERED (ASSEMBLED)



265-CAS10-H08A2 – AS DELIVERED (ASSEMBLED)



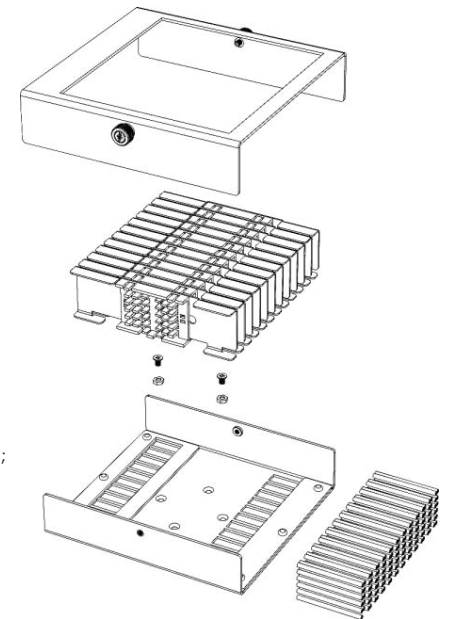
265-CAS10-L12A2 – AS DELIVERED (ASSEMBLED)



265-CAS10 CARTRIDGE WITHOUT SLEEVES



265-CAS10 CARTRIDGE WITH TWELVE 40-MM SLEEVES



KITTING

As-delivered:

265-CAS10-6F4B:	265-CAS10-8H4B:	265-CAS10-CL4B:
✓ 1× base	✓ 1× base	✓ 1× base
✓ 1× cover;	✓ 1× cover;	✓ 1× cover;
✓ 6× cartridges;	✓ 8× cartridges;	✓ 12× cartridges;
✓ 72× splice protection sleeves;	✓ 96× splice protection sleeves;	✓ 144× splice protection sleeves;
✓ 2× M3 CTS machine screws;	✓ 2× M3 CTS machine screws;	✓ 2× M3 CTS machine screws;
✓ 2× M3 hex nuts;	✓ 2× M3 hex nuts;	✓ 2× M3 hex nuts;
✓ 1× shipping box.	✓ 1× shipping box.	✓ 1× shipping box.

Not included:

- ✗ Pigtails