

CAT6A RJ45 MODULAR PLUG

3 PRONG 50 μ" GOLD PLATED

FEED THROUGH STYLE (SHIELDED)



012-026/EZF-100

ELECTRICAL

Voltage Rating:	250 VAC RMS
Current Rating:	2 Amps
Insulation Resistance:	500m Ω
Termination Resistance:	20m Ω Max

MECHANICAL

Cable to Plug Tensile Strength:	20 lb
Durability:	2000 Mating Cycles

MATERIAL

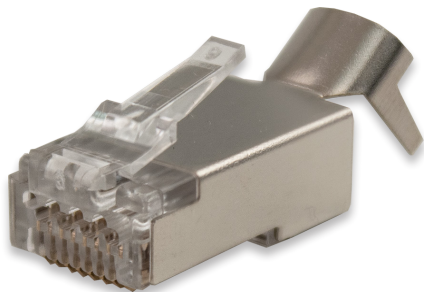
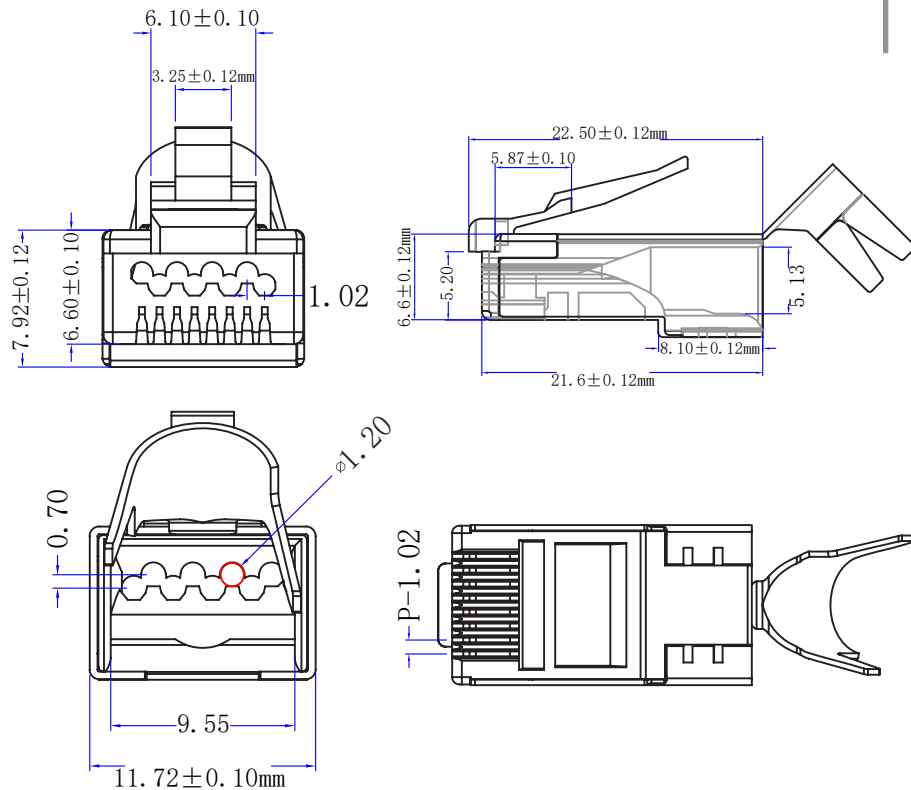
Housing:	Polycarbonate UL94V-2
Color:	Transparent
Contact Blade:	Copper Alloy 3 Prong
Conductor Type:	Solid/Stranded Wire
Conductor Size:	23 AWG
Gold Plating:	50 μ"
Insulation Size:	0.047 in. (1.2 mm)

DESCRIPTION

CAT6A, RJ45 Modular, 8P 8C,
50 μ" (Micro-Inches) Gold Plated,
Feed Through Style, Shielded

FEATURES

- 50 Micro-Inches Gold Plated 3 Prong
- For 23 AWG Cable
- Feed Through Design
- Compatible with CAT6 / CAT6A CMXF Cable
- For Round Solid / Stranded Wire (8 Conductor)



VERTICAL CABLE

951.696.7772 California
800.749.2447 Florida
845.391.8318 New York
713.322.7242 Texas

verticalcable.com

Rev. 3/2024

Subject to change without notice.