

CAT6A RJ45 MODULAR PLUG

3 PRONG 50 μ" GOLD PLATED

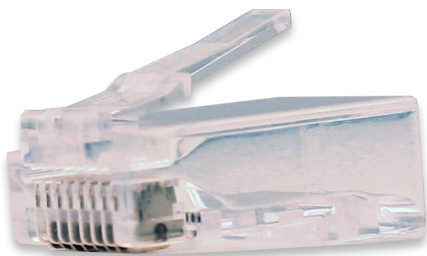


DESCRIPTION

CAT6A, RJ45 Modular, 8P 8C,
50 μ" (Micro-Inches) Gold Plated

FEATURES

- 50 Micro-Inches Gold Plated 3 Prong
- 23 AWG Cable
- Compatible with CAT6 / CAT6A CMXF Cable
- For Round Solid / Stranded Wire (8 Conductor)



012-022-100

ELECTRICAL

Insulation Resistance: 100m Ω
Termination Resistance: 20m Ω Max
After Environmental Testing

MECHANICAL

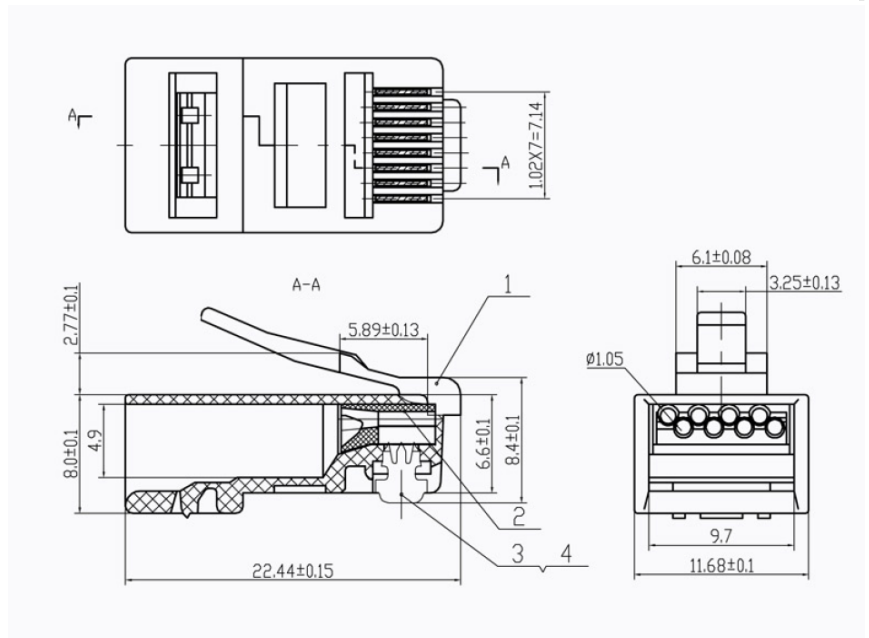
Cable to Plug Tensile Strength: 20 lb
Durability: 200 Mating Cycles

MATERIAL

Housing: Polycarbonate
Color: Transparent
Contact Blade: Copper Alloy 3 Prong
Conductor Type: Solid/Stranded Wire
Conductor Size: 23 AWG
Gold Plating: 50 μ"

HOUSING O.D.:

0.047 in. (1.2 mm)



VERTICAL CABLE

951.696.7772 California
800.749.2447 Florida
845.391.8318 New York
713.322.7242 Texas

verticalcable.com

Rev. 3/2024

Subject to change without notice.