

CAT5E RJ45 MODULAR PLUG

3 PRONG 50 μ" GOLD PLATED

FEED THROUGH DESIGN

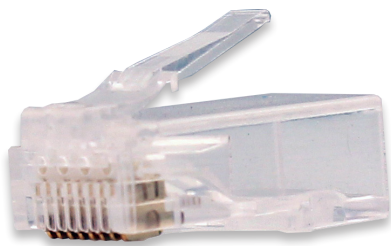


DESCRIPTION

CAT5E, RJ45 Modular, 8P 8C,
50 μ" (Micro-Inches) Gold Plated,
Feed Through Style.

FEATURES

- 50 Micro-Inches Gold Plated 3 Prong
- Feed Through Design
- 24 AWG - 26 AWG Cable
- For Round Solid / Stranded CAT5E (8 Conductor)



011-018/EZF-100

ELECTRICAL

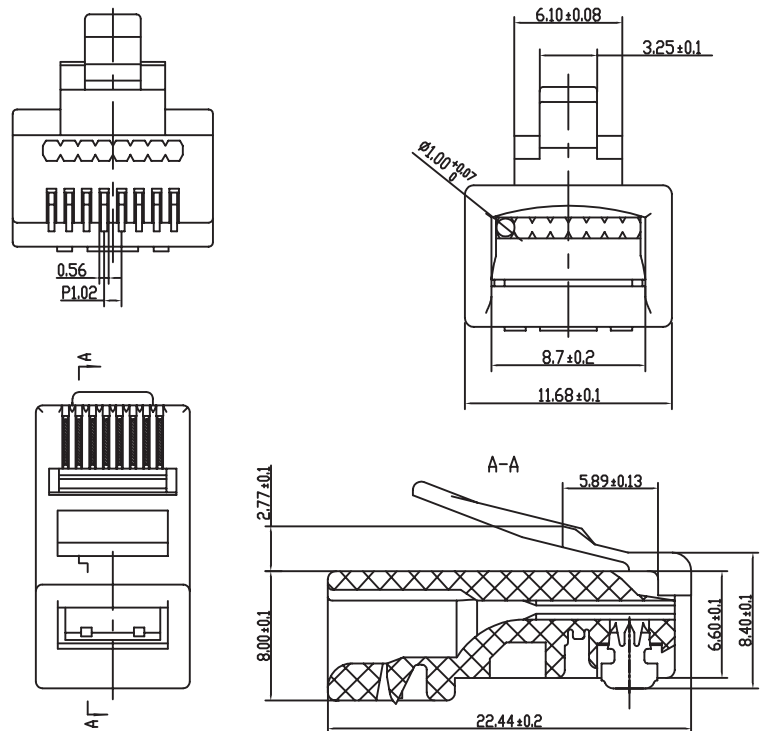
Voltage Rating:	150 VAC RMS
Current Rating:	1.5 Amps
Insulation Resistance:	1000m Ω Min. @ 500V DC
Termination Resistance:	20m Ω Max After Environmental Testing

MECHANICAL

Cable to Plug Tensile Strength:	20 lb
Durability:	200 Mating Cycles

MATERIAL

Housing:	Polycarbonate UL94V-2
Color:	Transparent
Contact Blade:	Copper Alloy 3 Prong
Conductor Type:	Solid/Stranded Wire
Conductor Size:	24 AWG - 26 AWG
Insulation Size:	0.039 in. (1.0 mm)
Gold Plating:	50 μ"



VERTICAL CABLE

951.696.7772 California
800.749.2447 Florida
845.391.8318 New York
713.322.7242 Texas

verticalcable.com

Rev. 3/2024

Subject to change without notice.