

CAT5E RJ45 MODULAR PLUG

3 PRONG 50 μ" GOLD PLATED

(SHIELDED)



011-017-100

ELECTRICAL

Insulation Resistance: 100m Ω
 Termination Resistance: 20m Ω Max
 After Environmental Testing

MECHANICAL

Cable to Plug Tensile Strength: 20 lb
 Durability: 200 Mating Cycles

MATERIAL

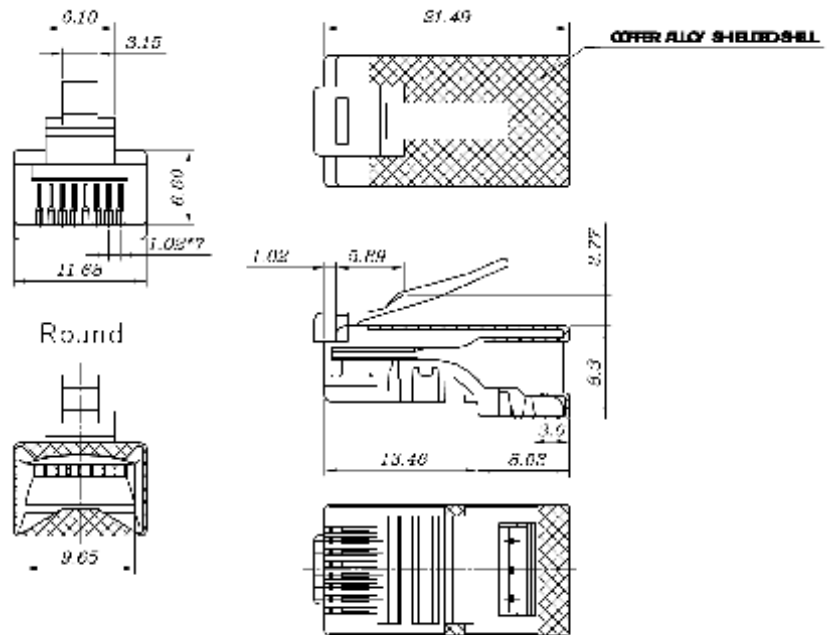
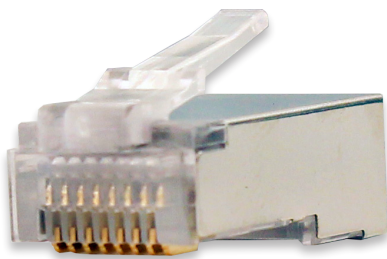
Housing: Polycarbonate
 Color: Transparent
 Shield: Copper Alloy Shell
 Contact Blade: Copper Alloy 3 Prong
 Conductor Type: Solid/Stranded Wire
 Conductor Size: 24 AWG - 26 AWG
 Gold Plating: 50 μ"

DESCRIPTION

CAT5E, RJ45 Shielded Modular, 8P 8C, 50 μ" (Micro-Inches) Gold Plated.

FEATURES

- 50 Micro-Inches Gold Plated 3 Prong
- 24 AWG - 26 AWG Cable
- For Round Solid / Stranded CAT5E (8 Conductor)



VERTICAL CABLE

951.696.7772 California
 800.749.2447 Florida
 845.391.8318 New York
 713.322.7242 Texas

verticalcable.com

Rev. 3/2024
 Subject to change without notice.