

BEAM CLAMP FOR J-HOOK, 3/4 IN.



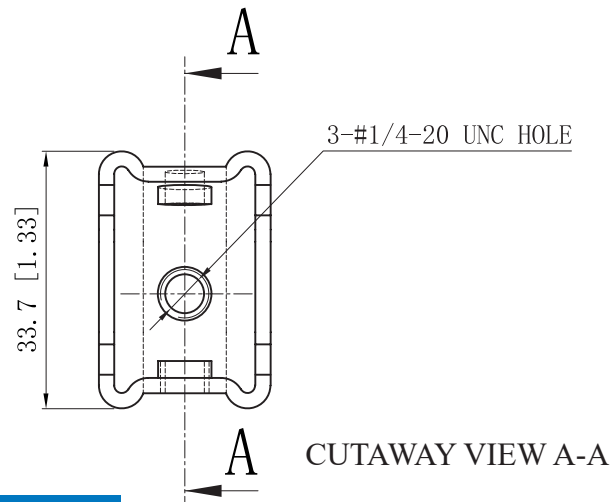
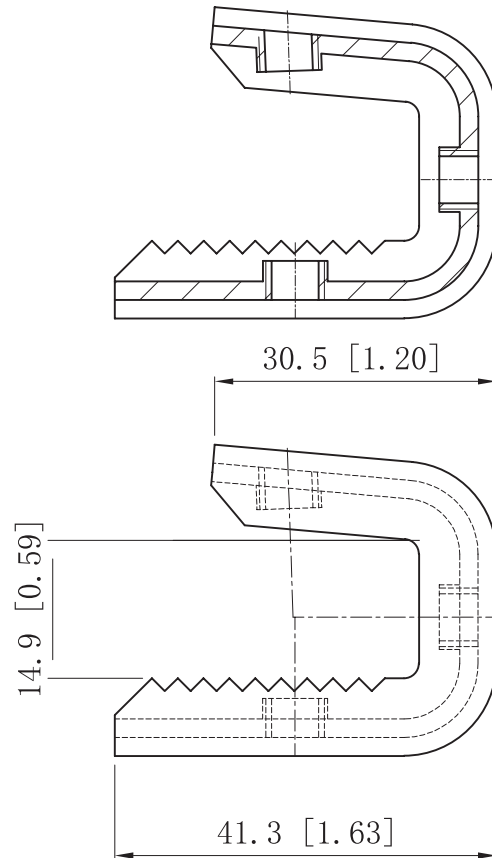
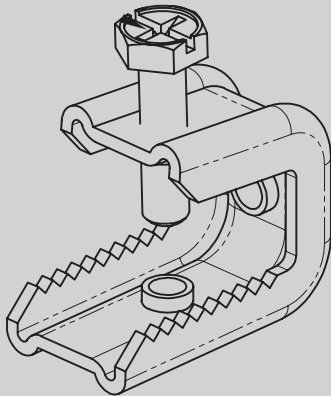
SKU: 048-160/BC

DESCRIPTION

3/4 IN BEAM CLAMP FOR J-HOOK

FEATURES

- Material: Cold rolled steel
- Thickness: 2.0 mm (0.079 in.)
- Finish: Zinc plated
- Free of sharp edge and burrs
- Max burr: 0.127 mm (0.005 in.)
- #1/4-20 × 1 combo Philips/stotted hex head cup point machine screw, case hardness
- All dimensions in millimeters and [inches]
- 100x per master box (sold separately)



VERTICAL CABLE

951.696.7772 California
800.749.2447 Florida
845.391.8318 New York

www.verticalcable.com

Rev. 11/2022

Specs subject to change without notice.

It is the sole responsibility of the user to have the most current specs.