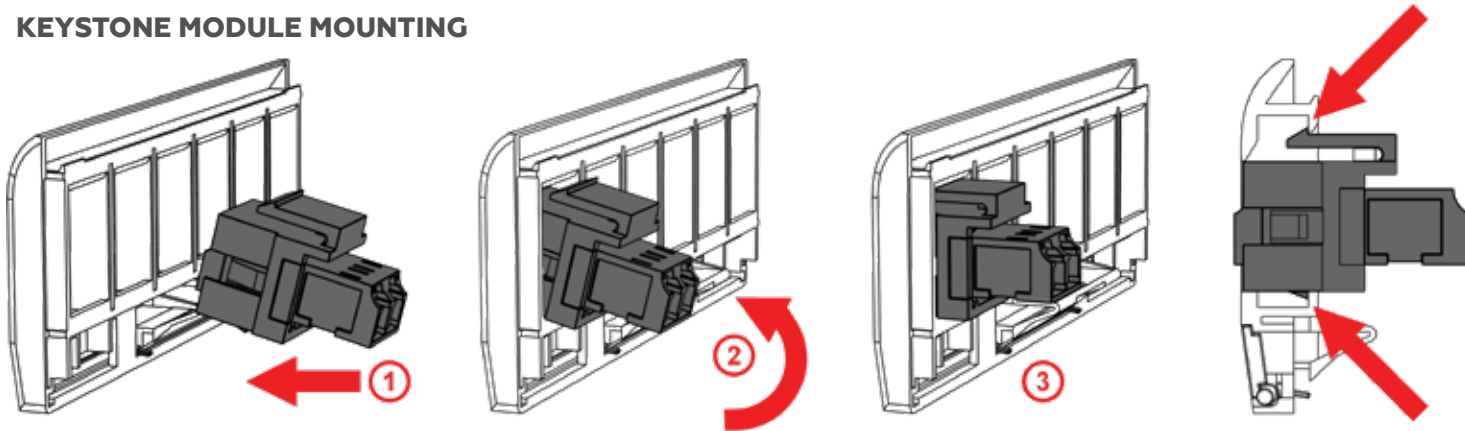


# INSTALLATION INSTRUCTIONS

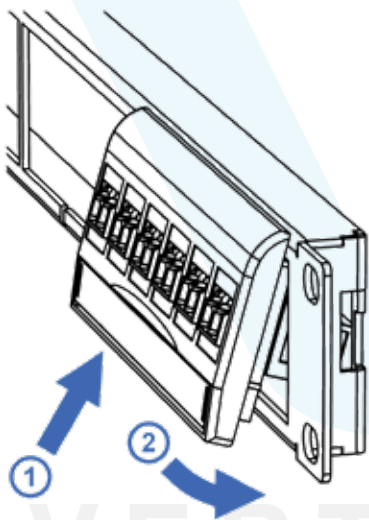
for PATCH PANELS with FRONT-RETRACTABLE  
KEYSTONE-MODULE BLOCKS

## 266-PKM04 SERIES

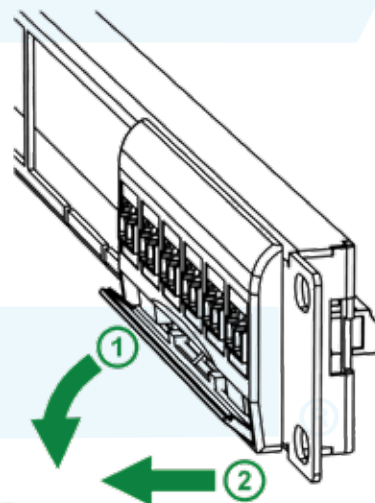
### KEYSTONE MODULE MOUNTING



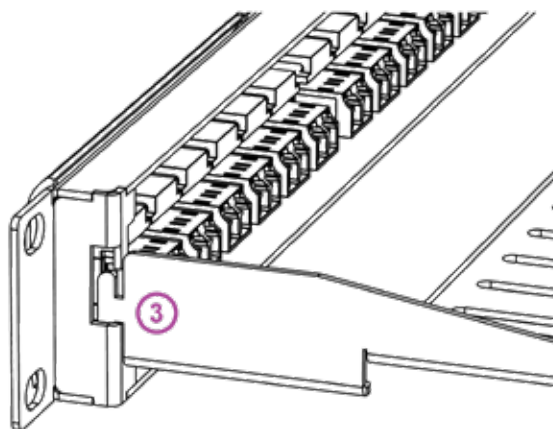
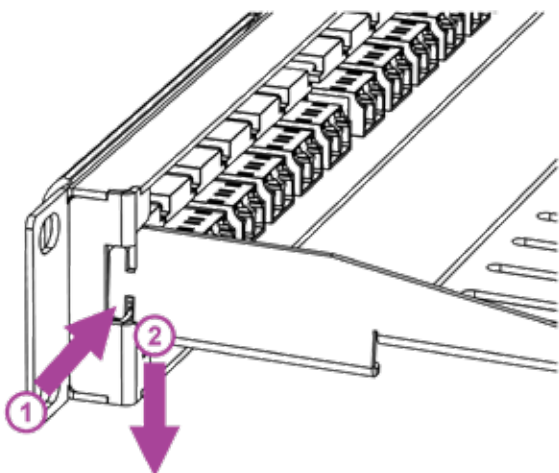
### KEYSTONE MODULE BLOCK MOUNTING



### KEYSTONE MODULE BLOCK REMOVAL



### CABLE MANAGEMENT BAR MOUNTING



\* For a permanent CMB fixation bend slightly the upper part of the CMB anchor inward using a pointing tool, e.g., a screwdriver.