

9 RMU OPEN WALL MOUNT FRAME

SKU: 047-WTH-0918



Height	Width	Adjustable Depth	Mounting Depth	Color	Weight	Capacity
19.5"	20"	18-30"	19" Rack-mountable	Black	25.35 LB	150 LB

DESCRIPTION

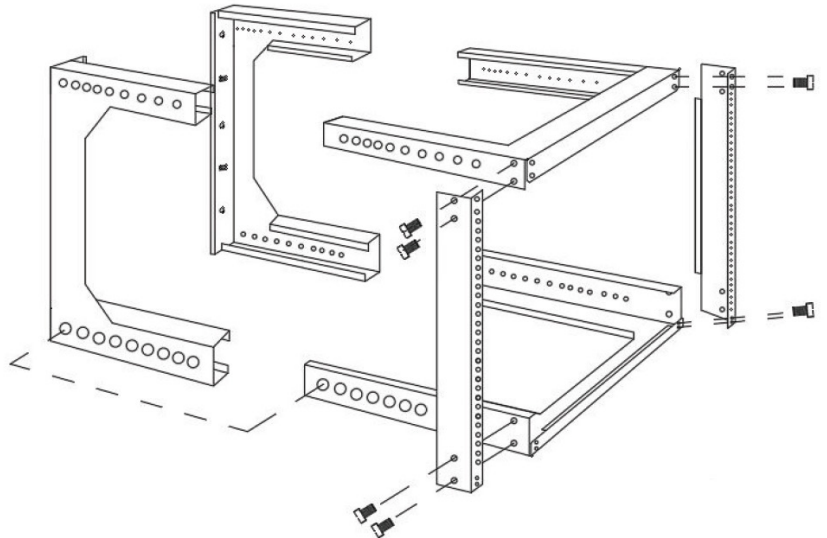
9 RMU Open Frame Wall-Mount Rack. Adjustable Depth.

FEATURES

- Modern, sleek design, high quality steel
- 19 inch standard EIA mounting depth
- Black powder finish
- Thread type: 12-24 Tapped
- M6 screws and cage nuts included
- Adjustable depth from 18" to 30"
- Assembly required, easy installation
- Increased weight capacity, holds up to 150 lbs

Technical Data

Height	19.5"
Width	20"
Depth	18" - 30"
Mounting Depth	19" Standard EIA
Material	Steel
Color	Black Powder Finish
Thread Type	12-24 Tapped
Weight (minus packaging)	25.35 lbs
Mounting Screw	Cagenut
Max Capacity	150 lbs



VERTICAL CABLE

951.696.7772 California
800.749.2447 Florida
845.391.8318 New York

www.verticalcable.com

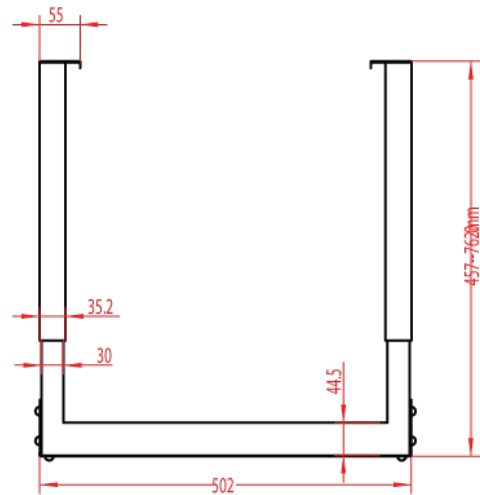
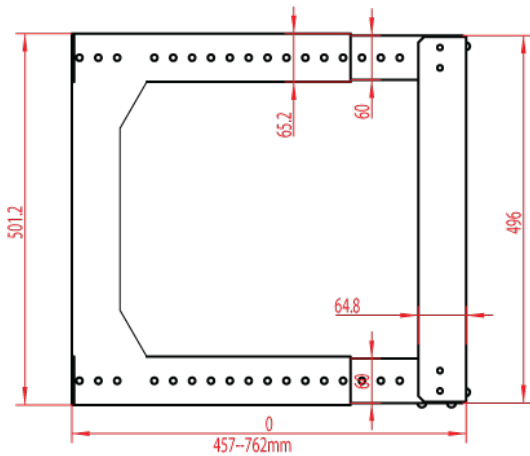
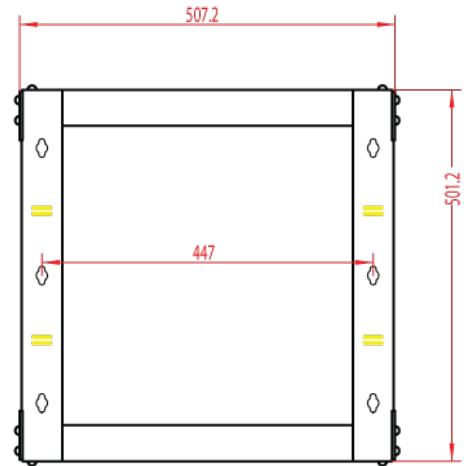
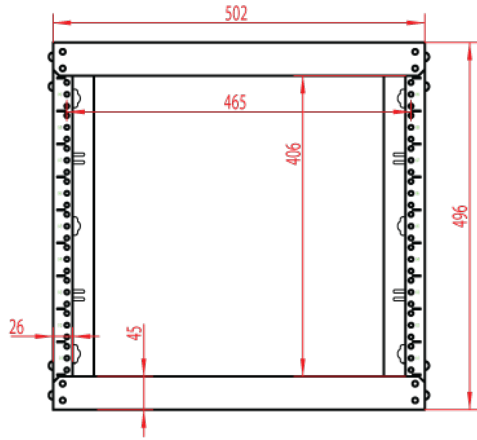
Rev. 09/2023

Specs subject to change without notice.

It is the sole responsibility of the user to have the most current specs.

9 RMU OPEN WALL MOUNT MOUNT FRAME

9 RMU (502 mm x 457 mm x 496 mm)
(20 in x 18 in x 19.50 in)



Model	U/RMS	Height	External Width	Adjustable Depth
047-WTH-0618	6 RMU	14.25 in	20 in	18 in - 30 in
047-WTH-0818	8 RMU	17.75 in	20 in	18 in - 30 in
047-WTH-0918	9 RMU	19.50 in	20 in	18 in - 30 in
047-WTH-1218	12 RMU	24.75 in	20 in	18 in - 30 in
047-WTH-1618	16 RMU	31.75 in	20 in	18 in - 30 in
047-WTH-2018	20 RMU	38.80 in	20 in	18 in - 30 in

VERTICAL CABLE

951.696.7772 California
800.749.2447 Florida
845.391.8318 New York

www.verticalcable.com

Rev. 09/2023

Subject to change without notice