

8 RMU OPEN WALL MOUNT FRAME

SKU: 047-WTH-0818



| Height | Width | Adjustable Depth | Mounting Depth | Color | Weight | Capacity |
|--------|-------|------------------|--------------------|-------|----------|----------|
| 17.75" | 20" | 18-30" | 19" Rack-mountable | Black | 24.47 LB | 150 LB |

DESCRIPTION

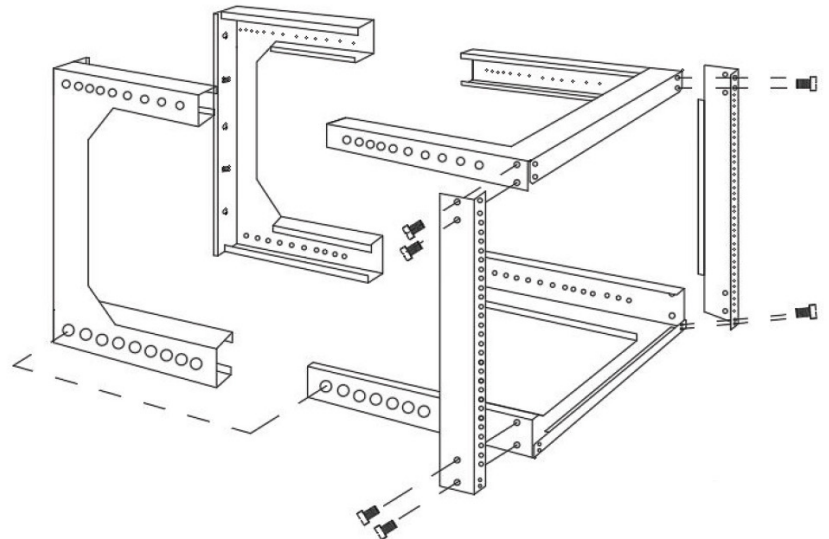
8 RMU Open Frame Wall-Mount Rack.
Adjustable Depth.

FEATURES

- Modern, sleek design, high quality steel
- 19 inch standard EIA mounting depth
- Black powder finish
- Thread type: 12-24 Tapped
- M6 screws and cage nuts included
- Adjustable depth from 18" to 30"
- Assembly required, easy installation
- Increased weight capacity, holds up to 150 lbs

Technical Data

| | |
|--------------------------|---------------------|
| Height | 17.75" |
| Width | 20" |
| Depth | 18" - 30" |
| Mounting Depth | 19" Standard EIA |
| Material | Steel |
| Color | Black Powder Finish |
| Thread Type | 12-24 Tapped |
| Weight (minus packaging) | 24.47 lbs |
| Mounting Screw | Cagenut |
| Max Capacity | 150 lbs |



VERTICAL CABLE

951.696.7772 California
800.749.2447 Florida
845.391.8318 New York

www.verticalcable.com

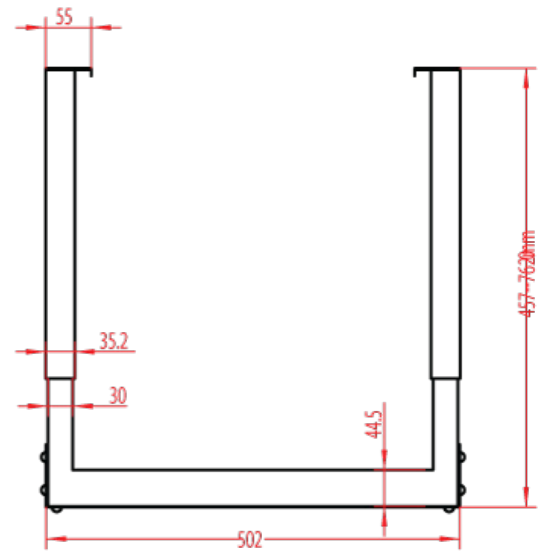
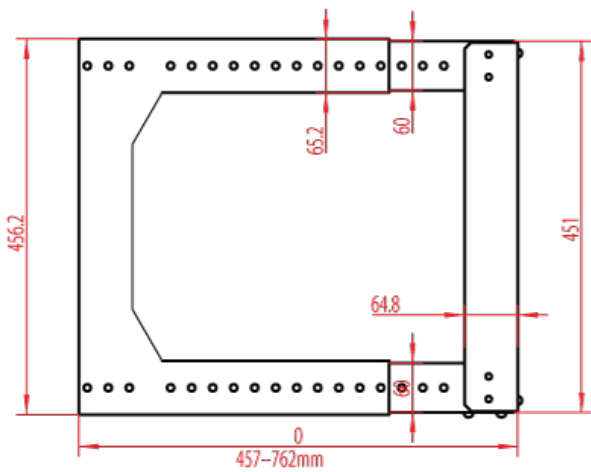
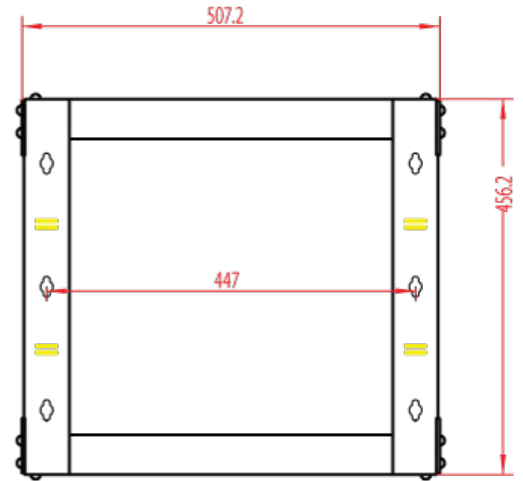
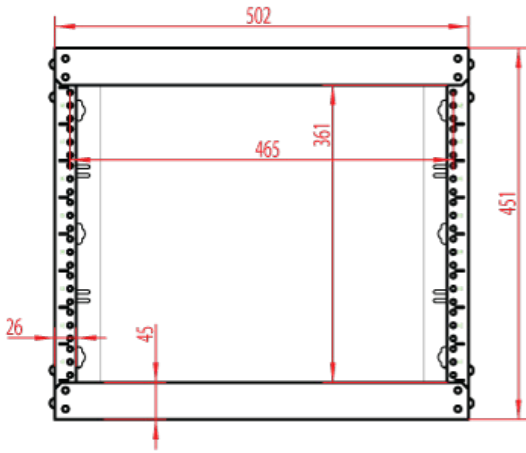
Rev. 09/2023

Specs subject to change without notice.

It is the sole responsibility of the user to have the most current specs.

8 RMU OPEN WALL MOUNT MOUNT FRAME

8 RMU (502 mm x 457 mm x 451 mm)
(20 in x 18 in x 17.75 in)



| Model | U/RMS | Height | External Width | Adjustable Depth |
|--------------|--------|----------|----------------|------------------|
| 047-WTH-0618 | 6 RMU | 14.25 in | 20 in | 18 in - 30 in |
| 047-WTH-0818 | 8 RMU | 17.75 in | 20 in | 18 in - 30 in |
| 047-WTH-0918 | 9 RMU | 19.50 in | 20 in | 18 in - 30 in |
| 047-WTH-1218 | 12 RMU | 24.75 in | 20 in | 18 in - 30 in |
| 047-WTH-1618 | 16 RMU | 31.75 in | 20 in | 18 in - 30 in |
| 047-WTH-2018 | 20 RMU | 38.80 in | 20 in | 18 in - 30 in |

VERTICAL CABLE

951.696.7772 California
800.749.2447 Florida
845.391.8318 New York

www.verticalcable.com

Rev. 09/2023

Subject to change without notice