

# 20U OPEN FRAME WALL MOUNT RACK



**SKU: 047-WFM-2026**

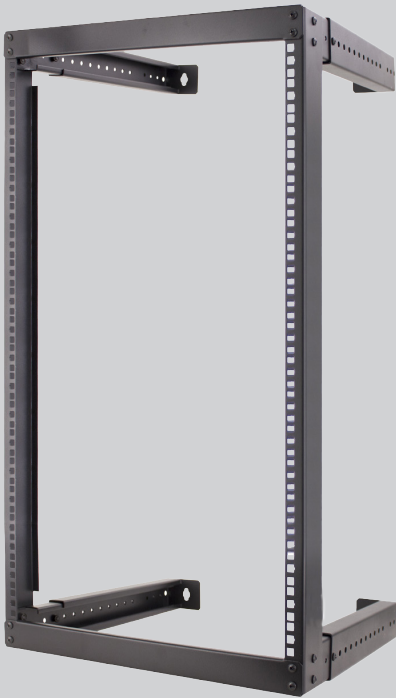
Height	Width	Adjustable Depth	Mounting Width	Color	Weight	Capacity (Extended)	Capacity (Closed)
38.80"	20"	18-30"	19" Rack-mountable	Black	25.8 LB	77 LB	110 LB

## DESCRIPTION

20U Open Frame Wall Mount Rack. Adjustable Depth.

## FEATURES

- Modern, sleek design, high quality steel
- 19" EIA rack mount compliant
- M6 screws and cage nuts included
- Featuring adjustable depth from 18" to 30"
- Assembly required, easy installation



## Technical Data

Height	38.80"
Width	20"
Depth	18" - 30"
Mounting Width	19" Standard EIA
Material	Steel
Color	Black Powder Finish
Weight	25.8 LB
Mounting Screw	Cagenut
Max Capacity	77 LB (extended) 110 LB (closed)



**VERTICAL CABLE**

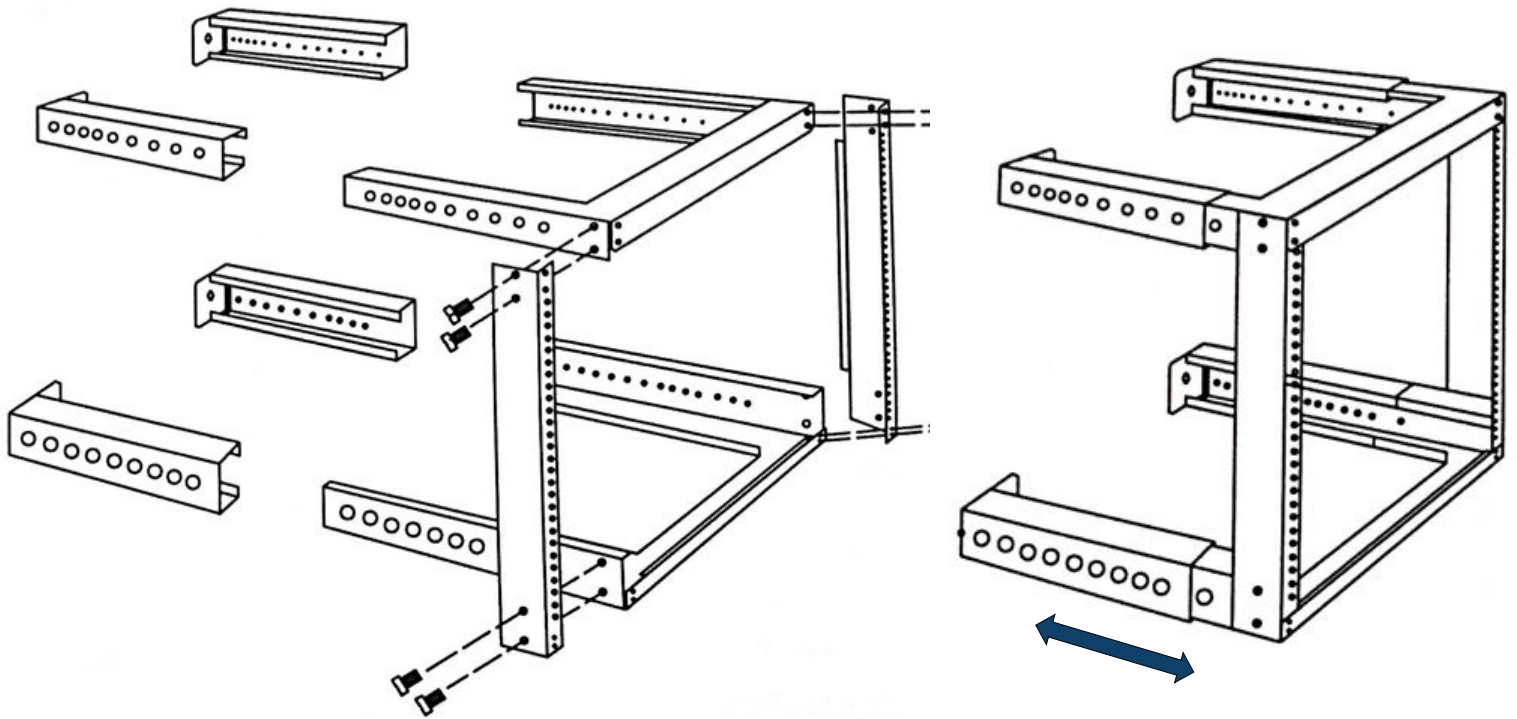
951.696.7772 California  
800.749.2447 Florida  
845.391.8318 New York

[www.verticalcable.com](http://www.verticalcable.com)

Rev. 09/2023

Specs subject to change without notice.

It is the sole responsibility of the user to have the most current specs.



note: standard 3/8" cage nut compatible

Model	U/RMS	Height	External Width	Adjustable Depth
047-WFM-0626	6U	14.25"	20"	18"-30"
047-WFM-0826	8U	17.75"	20"	18"-30"
047-WFM-0926	9U	19.50"	20"	18"-30"
047-WFM-1226	12U	24.75"	20"	18"-30"
047-WFM-1626	16U	31.75"	20"	18"-30"
047-WFM-2026	20U	38.80"	20"	18"-30"

## VERTICAL CABLE

951.696.7772 California  
 800.749.2447 Florida  
 845.391.8318 New York

[www.verticalcable.com](http://www.verticalcable.com)

Rev. 09/2023

Specs subject to change without notice.  
 It is the sole responsibility of the user to have the most current specs.