

# 6U OPEN WALL MOUNT



**SKU: 047-WFM-0626**

| Height | Width | Adjustable Depth | Mounting Width     | Color | Weight  | Capacity (Extended) | Capacity (Closed) |
|--------|-------|------------------|--------------------|-------|---------|---------------------|-------------------|
| 14.25" | 20"   | 18-30"           | 19" Rack-mountable | Black | 17.6 LB | 33 LB               | 110 LB            |

## DESCRIPTION

6U Open Frame Wall Mount Rack. Adjustable Depth.

## FEATURES

- Modern, sleek design, high quality steel
- 19" EIA rack mount compliant
- M6 screws and cage nuts included
- Featuring adjustable depth from 18" to 30"
- Assembly required, easy installation



## Technical Data

|                |                                     |
|----------------|-------------------------------------|
| Height         | 14.25"                              |
| Width          | 20"                                 |
| Depth          | 18" - 30"                           |
| Mounting Depth | 19" Standard EIA                    |
| Material       | Steel                               |
| Color          | Black Powder Finish                 |
| Weight         | 17.6LBS                             |
| Mounting Screw | Cagenut                             |
| Max Capacity   | 33 LB (extended)<br>110 LB (closed) |



**VERTICAL CABLE**

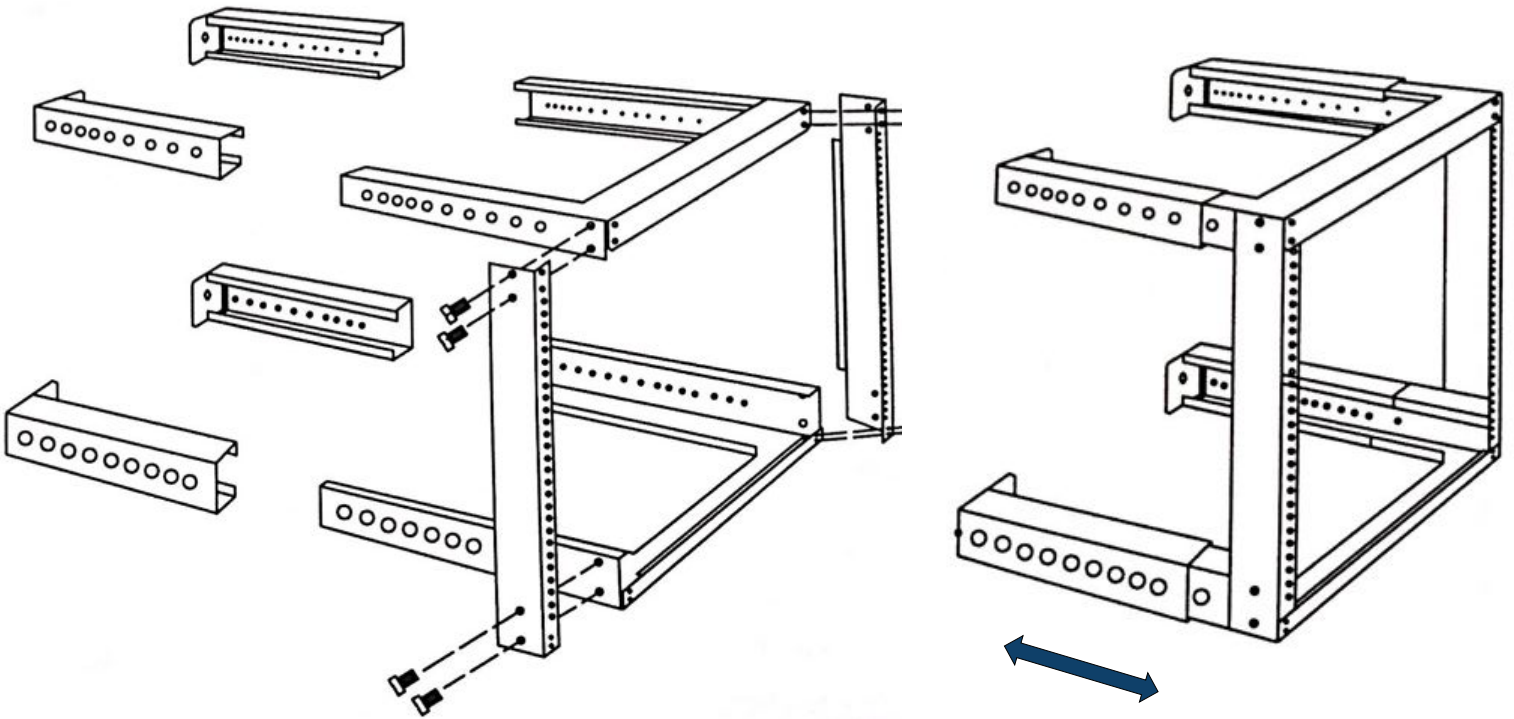
951.696.7772 California  
800.749.2447 Florida  
845.391.8318 New York

[www.verticalcable.com](http://www.verticalcable.com)

Rev. 09/2023

Specs subject to change without notice.

It is the sole responsibility of the user to have the most current specs.



note: standard 3/8" cage nut compatible

| Model        | U/RMS | Height | External Width | Adjustable Depth |
|--------------|-------|--------|----------------|------------------|
| 047-WFM-0626 | 6U    | 14.25" | 20"            | 18"-30"          |
| 047-WFM-0826 | 8U    | 17.75" | 20"            | 18"-30"          |
| 047-WFM-0926 | 9U    | 19.50" | 20"            | 18"-30"          |
| 047-WFM-1226 | 12U   | 24.75" | 20"            | 18"-30"          |
| 047-WFM-1626 | 16U   | 31.75" | 20"            | 18"-30"          |
| 047-WFM-2026 | 20U   | 38.80" | 20"            | 18"-30"          |

## VERTICAL CABLE

951.696.7772 California  
 800.749.2447 Florida  
 845.391.8318 New York

[www.verticalcable.com](http://www.verticalcable.com)

Rev. 09/2023

Specs subject to change without notice.

It is the sole responsibility of the user to have the most current specs.