

CAST ALUMINUM DISTRIBUTION D-RING



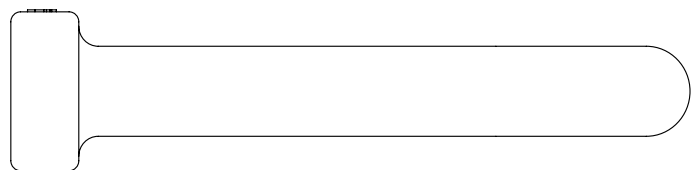
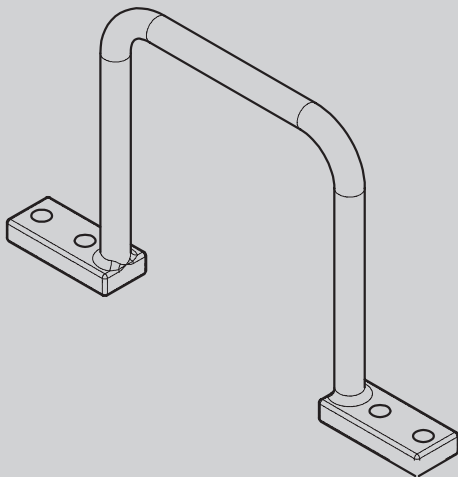
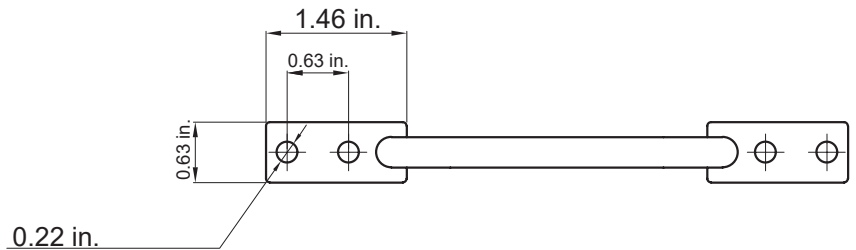
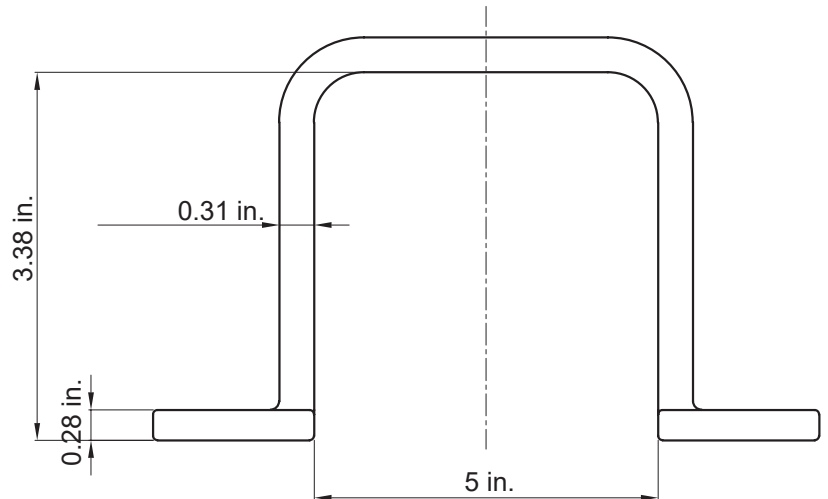
SKU: 048-185/D5

DESCRIPTION

5 inch Cast Aluminum Distribution D-Ring

FEATURES

- Aluminum (pre-galvanized)
- Holds up to 75 CAT5E
- Inside Diameter 5"
- 6 lbs (Net weight per box)
- 7 lbs (Gross weight per box)
- 50 Per Box



VERTICAL CABLE

951.696.7772 California
800.749.2447 Florida
845.391.8318 New York

www.verticalcable.com

Rev. 03/2023

Specs subject to change without notice.

It is the sole responsibility of the user to have the most current specs.