

# CAST ALUMINUM DISTRIBUTION D-RING



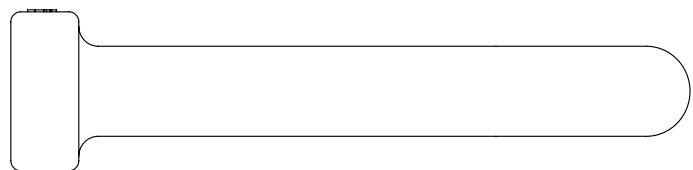
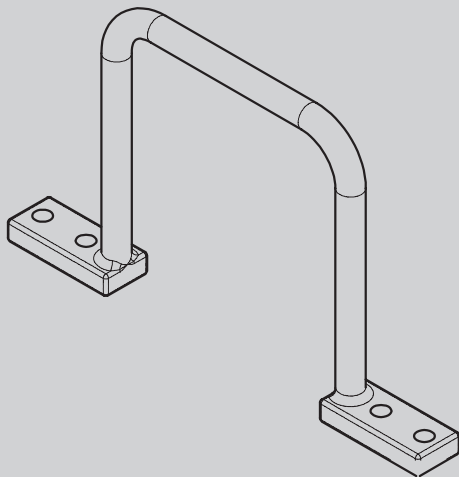
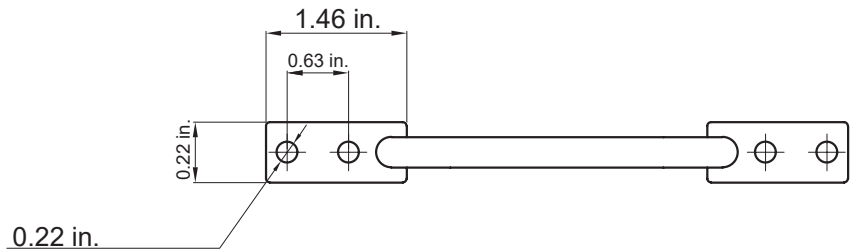
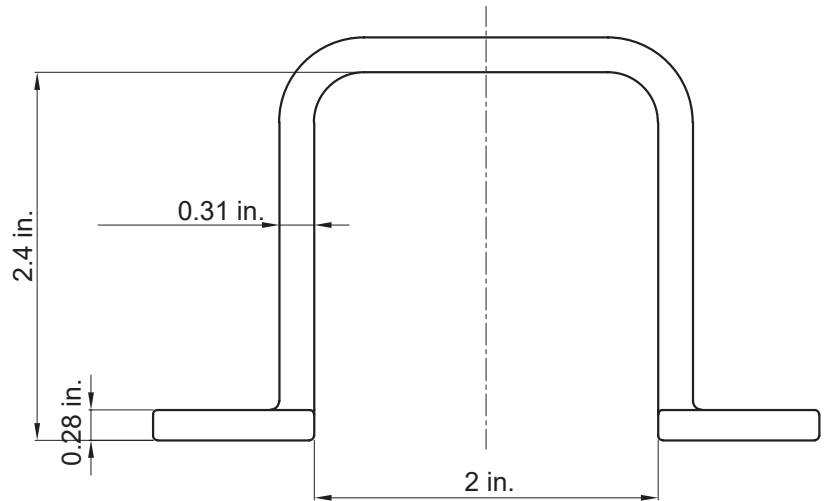
**SKU: 048-170/D2**

## DESCRIPTION

2" Inch Cast Aluminum Distribution D-Ring

## FEATURES

- Aluminum (pre-galvanized)
- Holds up to 75 CAT5E
- Inside Diameter 2 in.
- 4 lbs (Net weight per box)
- 5 lbs (Gross weight per box)
- 50 Per Box (sold separately)



**VERTICAL CABLE**

951.696.7772 California  
800.749.2447 Florida  
845.391.8318 New York

[www.verticalcable.com](http://www.verticalcable.com)

Rev. 03/2023

Specs subject to change without notice.

It is the sole responsibility of the user to have the most current specs.