

CAT6 DATA JACK

90° DEGREE STYLE (SHIELDED)

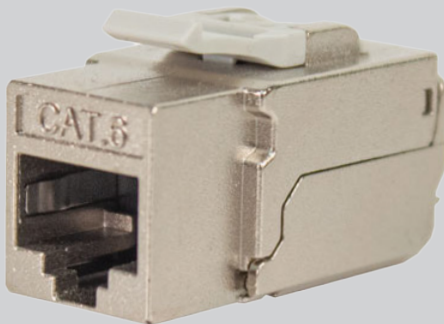


DESCRIPTION

Category 6 Shielded Data Grade Keystone Jack 90° Degree 8x8 Conductors.

FEATURES

- 360° Shielding Structure to prevent EMI
- 110-IDC Contacts (Terminal Block)
- Color Coded for 568A and 568B
- EIA/TIA 568A/B standards
- ANSI/TIA-568-C.2 , ISO/IEC11801, EN50173-1
- Thermoplastic ABS Housing
- RoHS Compliant



SKU: 302-J2631/S

Physical Specifications

Dimension (mm) 19.35H x 21W x 46.83D

Housing Material

Housing & Cap Polycarbonate

Contact Material

IDC 110 Contacts 100μ Inch nickel plated over phosphor bronze
IDC Operating Life Minimum 250 re-terminations
Jack Contact Phosphor bronze, 50μ inch gold plating over nickel
Jack Operating Life Minimum 750 insertions
Compatibility 23 to 26 AWG (solid)

Shielded Cover

50~60μ inch nickel plated over phosphor bronze

Product Qualifications

ANSI/TIA-568-C.2
ETL Listed

Electrical:

Dielectric strength 1000V RMS for 1min
Insulation resistance 10mΩ min
Contact Resistance 2mΩ per contact
Temperature Range -10°C to 60°C max
Humidity 10%~65%

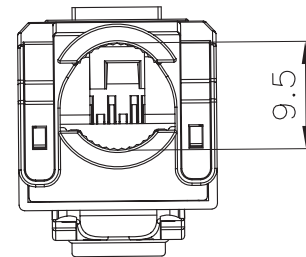
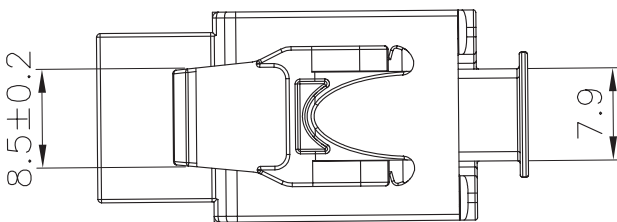
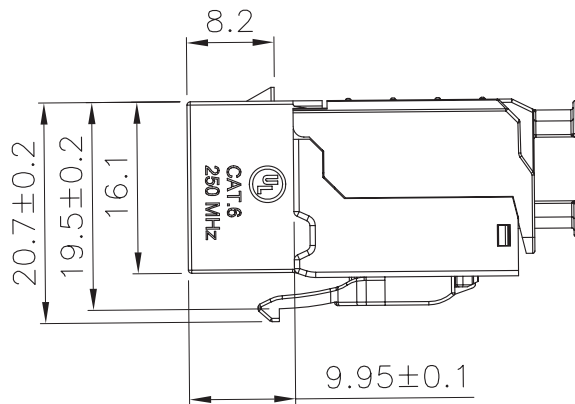
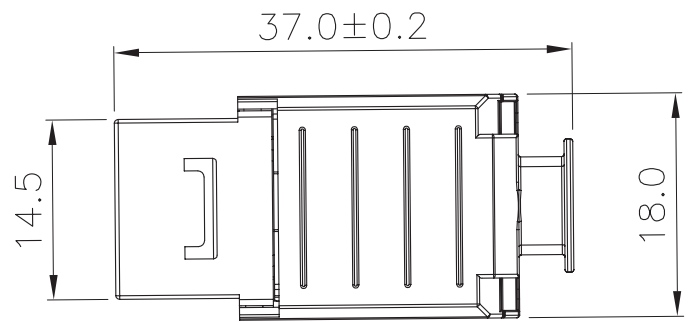
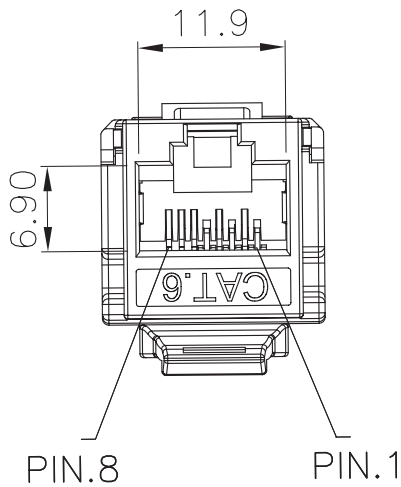
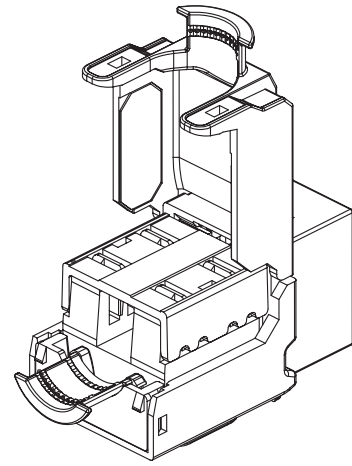
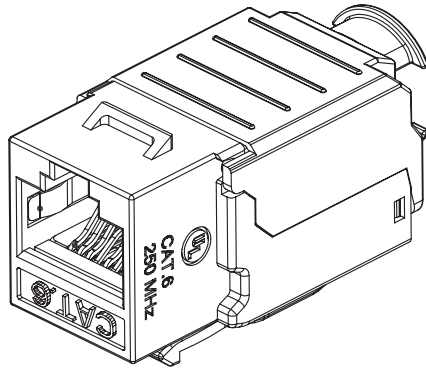
VERTICAL CABLE

954 454-3554 Florida Office
951 696-7772 California Office



www.verticalcable.com

Rev. 05/2023
Subject to change without notice.



VERTICAL CABLE

954 454-3554 Florida Office
951 696-7772 California Office



www.verticalcable.com

Rev. 05/2023

Subject to change without notice.