

# 45U ALUMINUM OPEN RACK - 2 POST



**SKU: 047-WOS-0245**

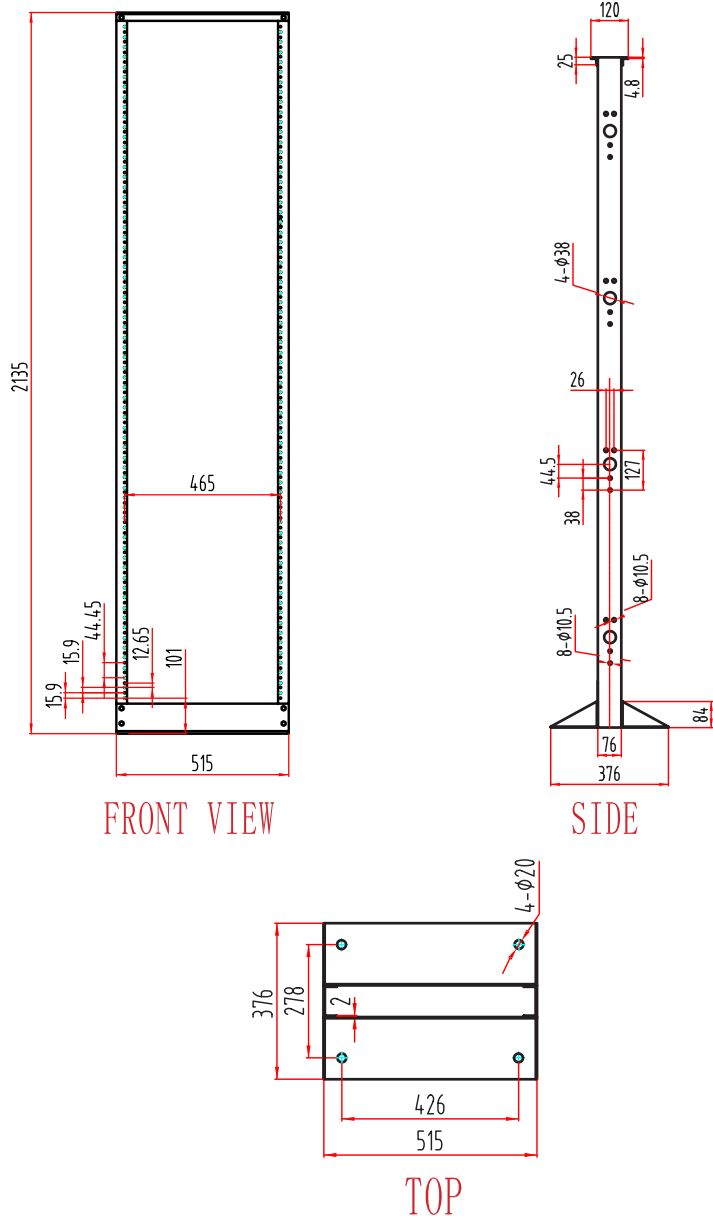
Height	Width	Depth	Color	Weight	Capacity
84"	20.3"	14.8"	Black	28 LB	804 LB

## DESCRIPTION

45U Aluminum Open Rack - 2 Post

## FEATURES

- 2 post rack
- Holes for #12-24 screws
- Highly functional and stylish



**VERTICAL CABLE**

951.696.7772 California  
 800.749.2447 Florida  
 845.391.8318 New York

[www.verticalcable.com](http://www.verticalcable.com)

Rev. 3/2016

Subject to change without notice