

CAT6A UTP SLIM MODULAR PLUG 3-PRONG GOLD-PLATED



SKU: 012-027SLM-100

Electrical

| | |
|-----------------------|---------------------------------|
| Current Rating | 125 V AC, 1.5A @ 25°C |
| Operating Temperature | -40°C to +85°C |
| Contact Resistance | 20m Ω Max |
| Insulation Resistance | 500m Ω Min., 100 V DC/min. |
| Voltage Proof | 1000 V AC/1 minute no breakdown |

Mechanical

| | |
|----------------------------|-----------------|
| Insertion/Withdrawal Force | 20N Max |
| Durability | 750 Cycles/min. |

Environmental

RoHS & REACH Compliant

Material

| | |
|----------------|-----------------------|
| Housing | Polycarbonate UL94V-2 |
| Contact Blade | Brass (3 Prong, 3u) |
| Conductor Type | For Stranded Wire |
| Conductor Size | 28 AWG |

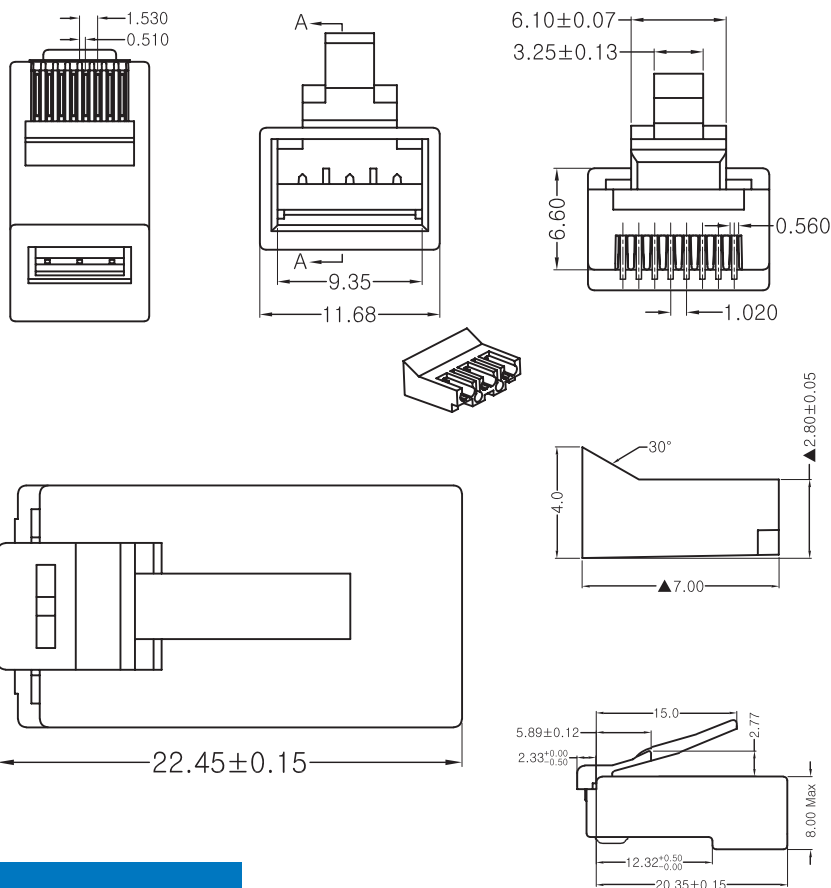
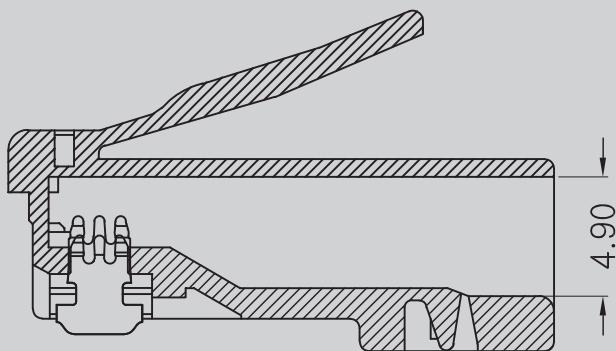
DESCRIPTION

CAT6A RJ45 Unshielded Modular Plug
For 28 AWG Cable, 8P 8C
2 pieces, non-feed-through

FEATURES

- 3-Prong Gold-Plated Contacts
- Fast and easy to terminate
- Outer Diameter - 0.157 in. (4 mm)
- 100 per pack

Compatible with Slip-On Boot
017-067TR-100 and Slim Type CAT6A Cable - 173 Series



VERTICAL CABLE

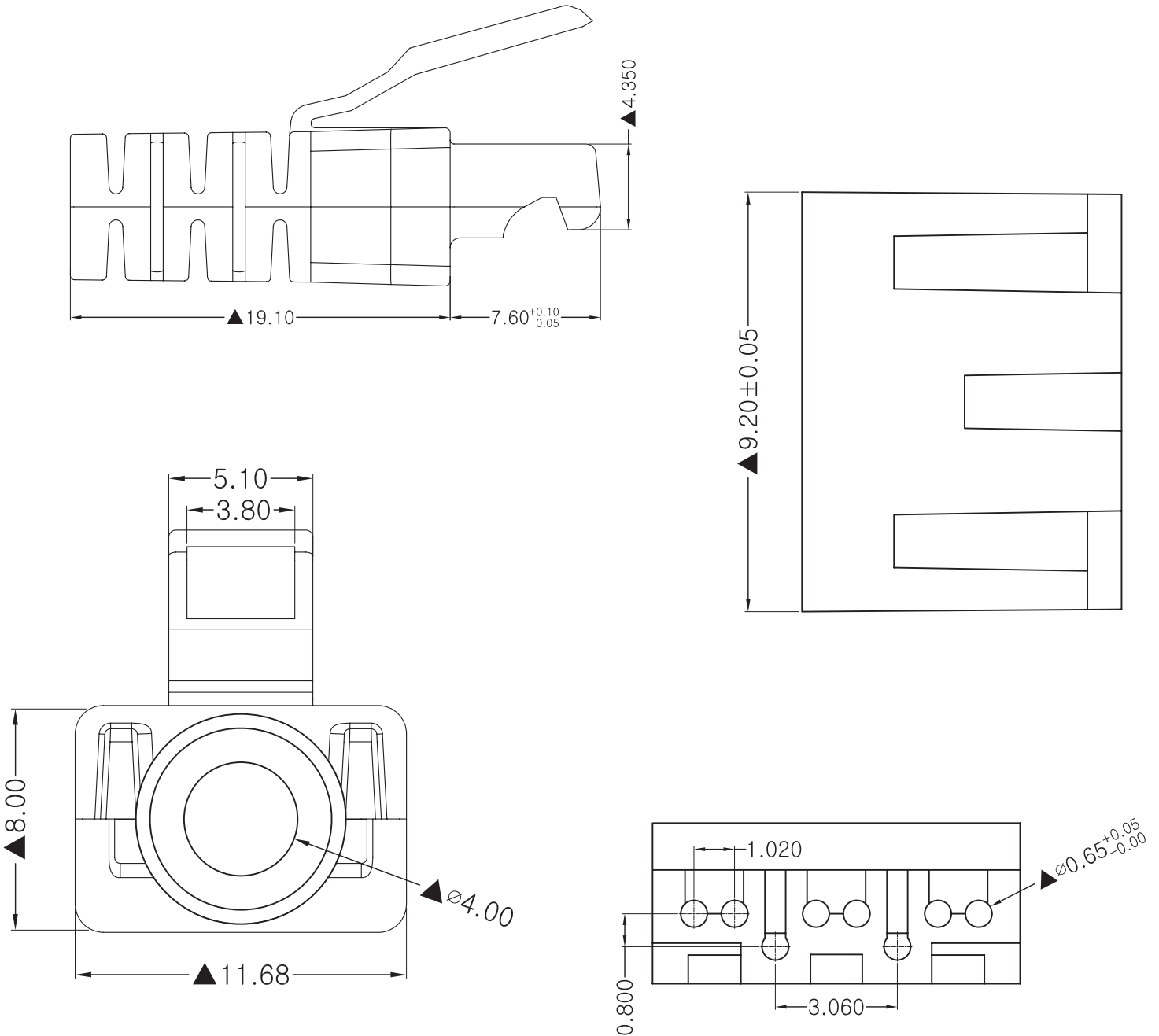
800.749.2447 Florida
951.696.7772 California
845.391.8318 New York

www.verticalcable.com

Rev. 10/2022

Specs subject to change without notice.
It is the sole responsibility of the user to have the most current specs.

CAT6A UTP SLIM MODULAR PLUG 3-PRONG GOLD-PLATED



VERTICAL CABLE

951.696.7772 California
800.749.2447 Florida
845.391.8318 New York



www.verticalcable.com

Rev. 10/2022

Subject to change without notice