

# 1 5/16 INCH J-HOOK WITH WING FOR 1/4 INCH ROD



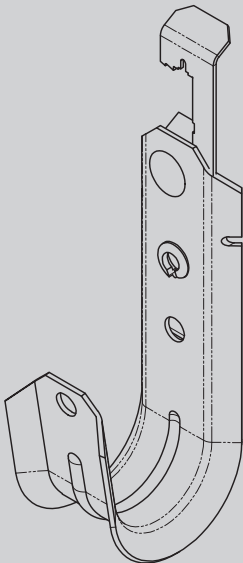
SKU: 048-144/16W

## DESCRIPTION

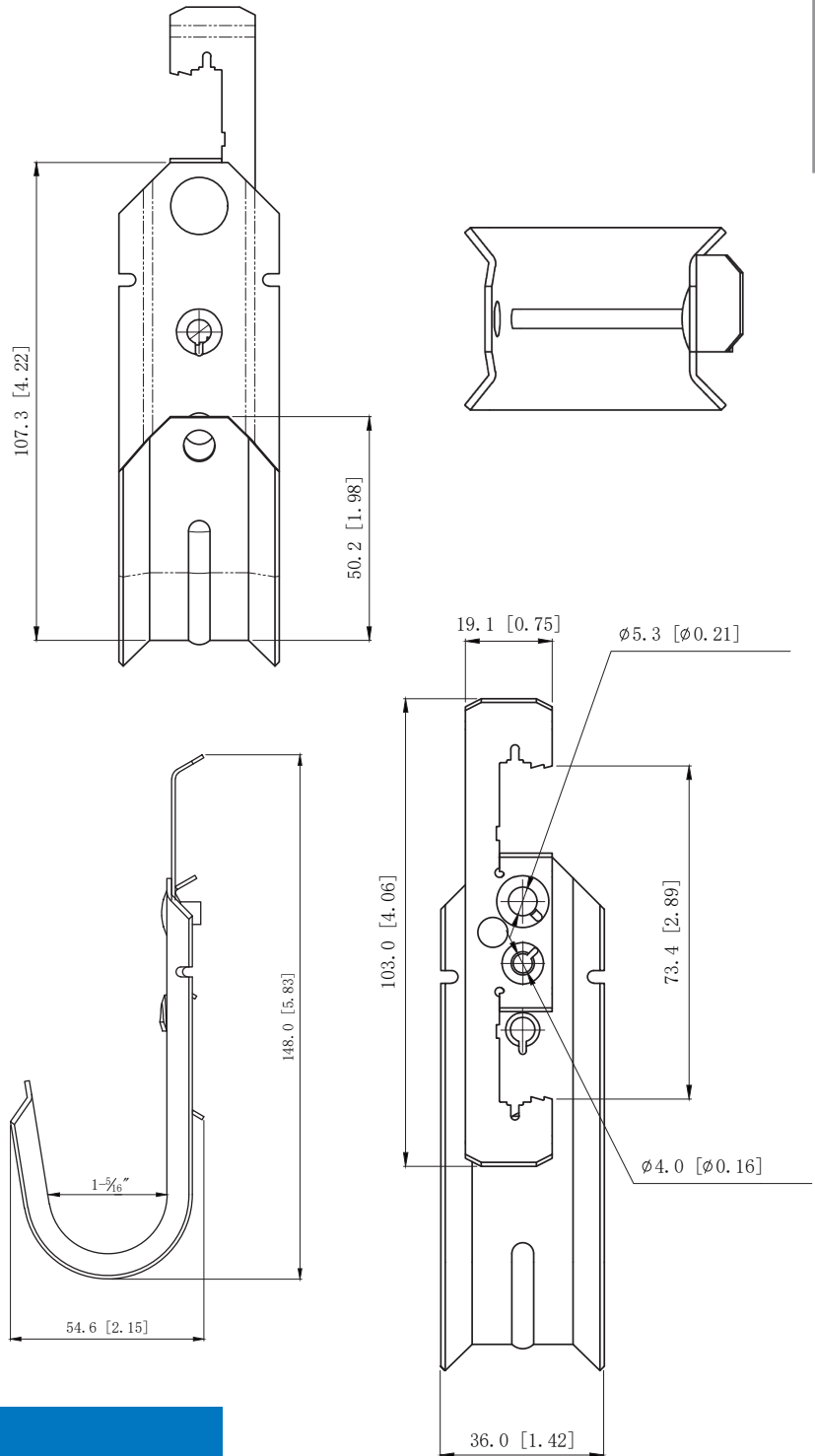
1 5/16 Inch J-Hook, Winged for 1/4 Inch Rod

## FEATURES

- Pre-Galvanized Steel
- Rust Resistant Zinc Coating
- Winged Hook Mounts on Vertically Spanning Steel Cable
- #12 Shaped Wing Attaches to 1/4in Vertical Rod
- Holder Secures Cable
- Load Capacity 60 lbs
- Holds up to 50 CAT5e or 30 CAT6
- Thickness: 0.05 in. (1.35 mm)



Reference: Connected by rivet.



**VERTICAL CABLE**

951.696.7772 California

800.749.2447 Florida

845.391.8318 New York

[www.verticalcable.com](http://www.verticalcable.com)

Rev. 08/2022

Specs subject to change without notice.

It is the sole responsibility of the user to have the most current specs.