

CAT5E UNSHIELDED KEYSTONE JACK (V-MAX Series)



SKU: 351 SERIES

Height	Width	Depth	Weight (Single Jack)	Weight (25 Pack)
0.78 in	0.67 in	1.22 in	0.04 lb	0.5 lb

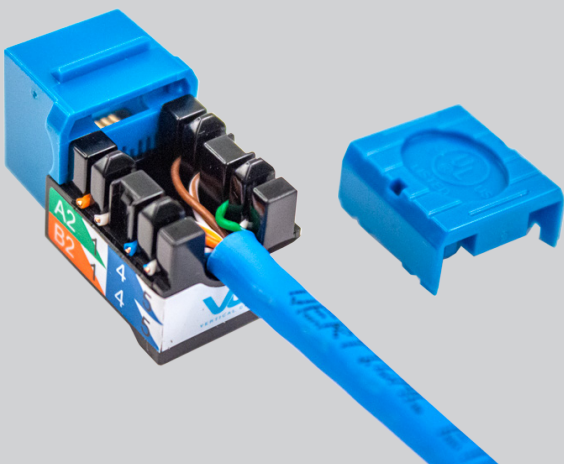
Specifications	
RJ45 Jack	
Housing Material	ABS+PC UL 94V-0
Contact Bracket	PBT+Glass Fiber, UL 94V-0
RJ45 Jack Contact	
Material	Phospor Bronze with Nickel plating
Finish	50 micro-inch Gold plating on Plug contact area
IDC	
Housing	PC UL 94V-0 with Black color
Terminal	Phospor Bronze with Tin plating
Cap	ABS+PC UL 94V-0
PCB	FR4, UL 94V-0
Performance	
Color Code	T568A & T568B wiring
Insertion Force	20N max. (IEC 606037-3)
Retention Force	17 LB (7.7 kg) between jack and plug
Operating Temp	-10° C to 60° C max (ISO/IEC 11801, ANSI/TIA-568.2-D)
Operating Life (mating cycles)	
Jack	Minimum 750 cycles (ISO/IEC 11801, IEC 60603-7-3)
IDC	Suitable for 23 and 24 AWG solid wire
Colors available	
Black, Blue, Gray, Green, Ivory, Yellow, Red, White, Orange, Purple	

DESCRIPTION

Category 5e V-Max Keystone Jack
Unshielded - TAA-Compliant
Lifetime Warranty

FEATURES

- Color Coded for T568A and T568B standards
- Meets and Exceeds ANSI/TIA-568.2-D, ANSI/TIA 1096-A
- Supports PoE 802.3af, 802.3at, 802.3bt
- Fits most standard keystone wall plates and patch panels
- Narrow connector allows high port density in small areas
- Compatible with standard 110 punch down tool
- Use the V-Max I-Punch Tool for faster termination
- Available in various colors for easy Identification
- UL Listed, RoHS Compliant, TAA Compliant
- 25 pack (single package)



VERTICAL CABLE

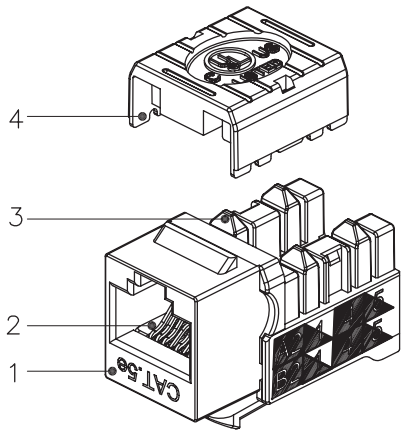
800.749.2447 Florida
951.696.7772 California
845.391.8318 New York



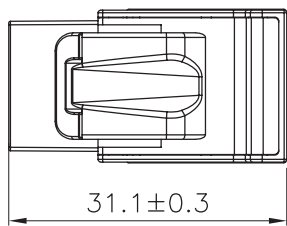
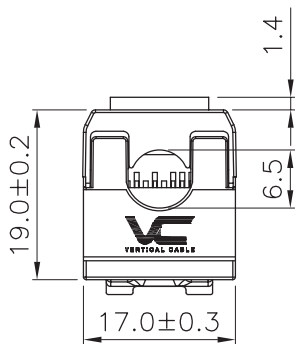
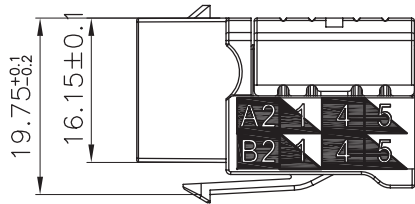
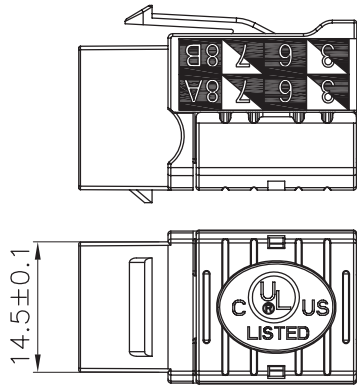
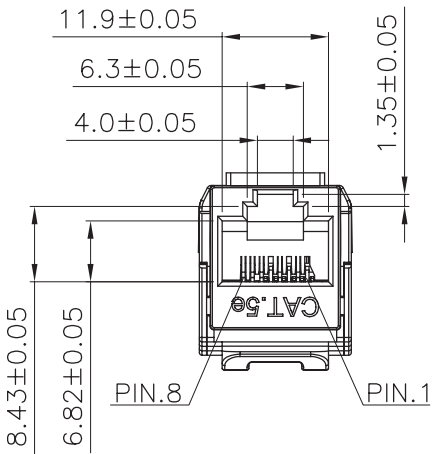
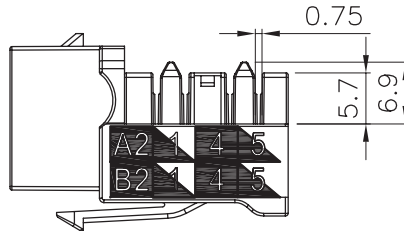
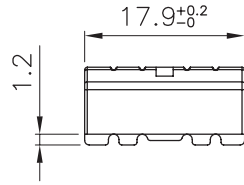
www.verticalcable.com

Rev. 07/2020

Specs subject to change without notice.
It is the sole responsibility of the user to have the most current specs.



SCALE 1/1



VERTICAL CABLE

800.749.2447 Florida
 951.696.7772 California
 845.391.8318 New York



www.verticalcable.com
 Rev. 07/2020

Specs subject to change without notice.
 It is the sole responsibility of the user to have the most current specs.