

2 RMU HINGED WALL MOUNT BRACKET



SKU: 046-389

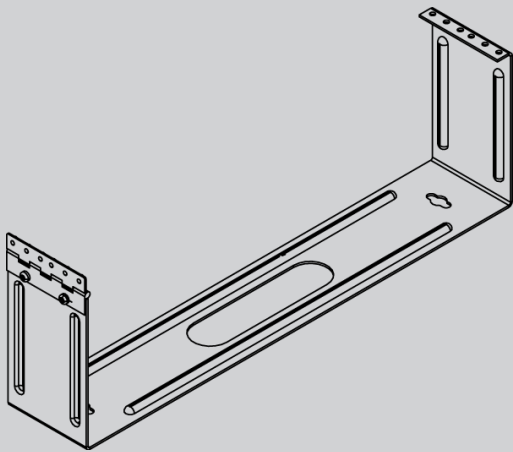
Thickness	Bracket ($\pm 0.1\text{mm}$)	2
	Hinge ($\pm 0.1\text{mm}$)	1.5
Height (in)		3.5
Width (in)		19
Depth (in)		5.83
Weight (lb)		2.5
Color		Black

DESCRIPTION

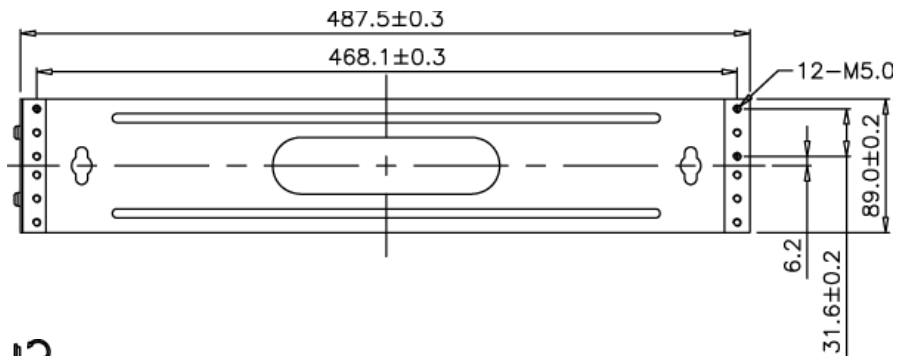
2 RMU Hinged Wall Mount Bracket, 19", Black

FEATURES

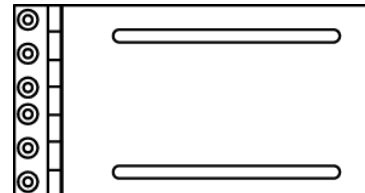
- Fits a standard 2 RMU 19 in patch panel
- Bracket made of 2mm thick steel, painted black
- Hinge made of 1.5 mm thick steel, painted black
- Comes with 8 M5 screws (5 mm x 15 mm)



FRONT VIEW



SIDE VIEW



VERTICAL CABLE

951.696.7772 California

800.749.2447 Florida

845.391.8318 New York

www.verticalcable.com

Rev. 01/2015

Specs subject to change without notice.

It is the sole responsibility of the user to have the most current specs.