

# CAT6 110 IDC Patch Panel 12 Port, 1U



**Part# 042-376/12**

**Material :**

1. Panel : SPCC, 1.5 mm thickness with Black(RAL 9005) color painted.
2. RJ45 Jack :
  - 2-1. Housing : ABS, UL 94V-0.
  - 2-2. Contact Bracket : PC, UL 94V-2, Transparent color.
3. RJ45 Jack Contact :
  - 3-1. Material : Phosphor Bronze with Nickel plated.
  - 3-2. Finish : 50 micro-inch Gold plated on Plug contact area.
4. IDC :
  - 4-1. Housing : PC+Glass Fiber, UL 94V-2.
  - 4-2. Terminal : Phosphor Bronze with Tin plated.
5. Cable Holder : Nylon.
6. Jack Bracket Set : ABS, UL 94V-0.
7. PCB : FR4, UL 94V-0.

**Performance :**

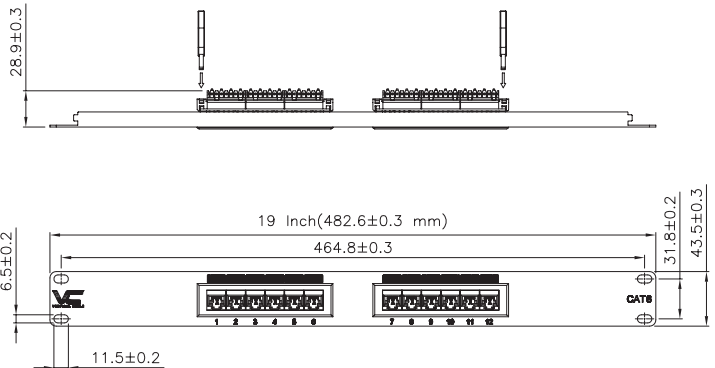
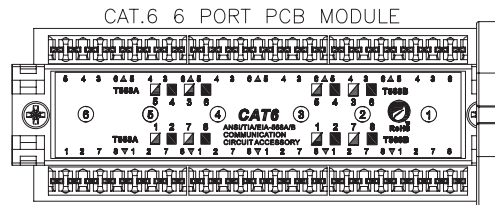
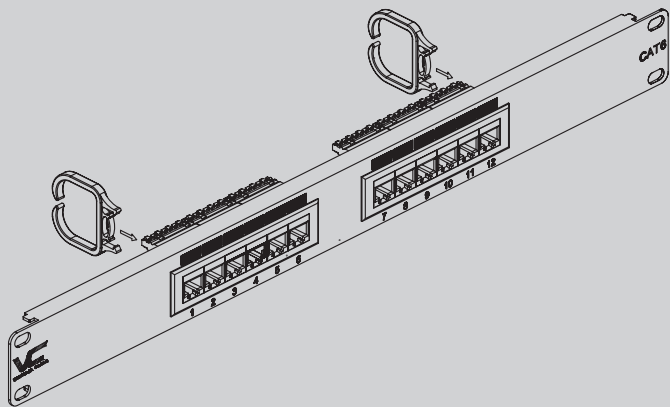
- a. T568A & T568B wiring.
- b. Insertion force : 20N max. (IEC 60603-7-4)
- c. Retention strength : 7.7 kg between Jack and Plug.
- d. Operating temperature : -10°C to 60°C. (ISO/IEC 11801, ANSI/TIA/EIA 568 B.2)
- e. Life(mating cycles) :
  - \*Jack : 750 cycles min. (ISO/IEC 11801, IEC 60603-7-4)
  - \*IDC : Suitable for 22-26 AWG stranded and solid wire, compatible with 110 punch down tool.
- f. The Cat.6 transmission performance is in compliance with the ANSI/TIA/EIA 568 B.2-1 standard.

## DESCRIPTION

**CAT6 12 Port, 110 IDC Patch Panel, 1U  
Part of ETL-Verified Channel**

## FEATURES

- High impact patch panel
- Tough black painted finish
- 110 type termination
- ISO/IEC 11801, ANSI/TIA/EIA 568 B.2-1



**VERTICAL CABLE**

800.749.2447 Florida  
951.696.7772 California  
845.391.8318 New York

[www.verticalcable.com](http://www.verticalcable.com)

Rev. 03/2021

Specs subject to change without notice.  
It is the sole responsibility of the user to have the most current specs.