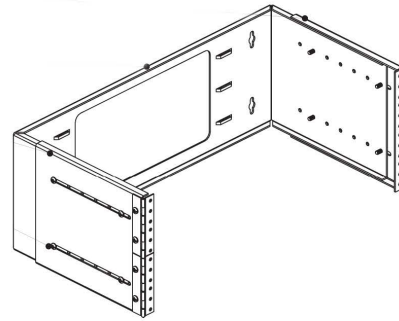


4U HINGE TYPE BRACKET

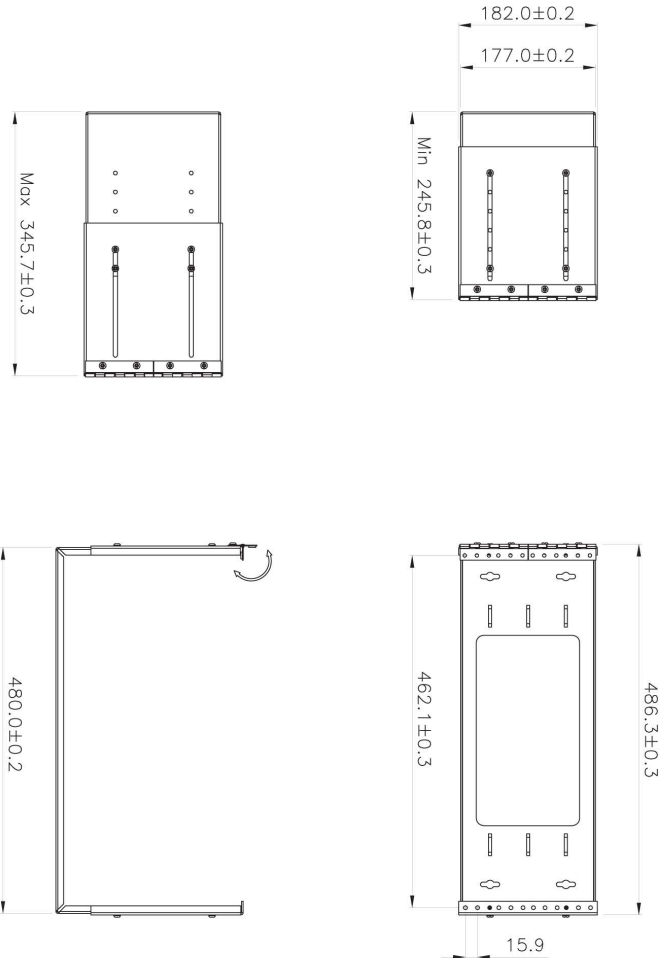
DEPTH ADJUSTABLE



SKU: 046-390/E



SCALE 1/8



DESCRIPTION

4U Hinge Type Wall Mount Bracket.

FEATURES

- Hinge Type Bracket
- Adjustable Depth 10" to 13"
- SPCC, 2.0mm Thickness (14awg)

VERTICAL CABLE

954 454-3554 Florida Office

951 696-7772 California Office

www.verticalcable.com

Rev. 02/2013

Subject to change without notice.