

CAT6 KEYSTONE COUPLER

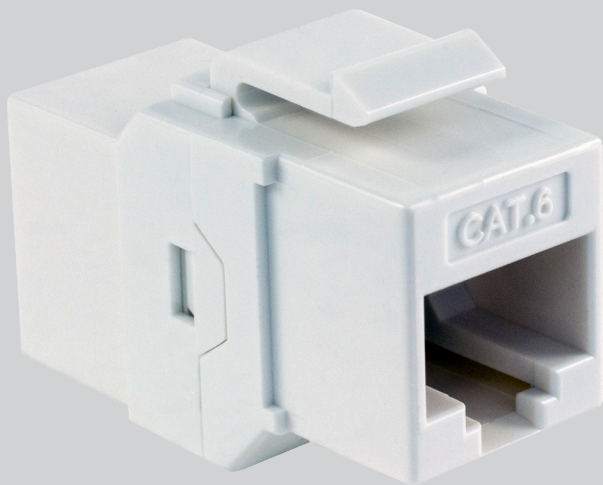


DESCRIPTION

CAT6 Keystone Coupler

FEATURES

- Keystone Coupler for CAT6 applications
- Snaps in and out of blank patch panels
- Flexible tab allows for quick installation



SKU: 302-K Series

Material:

RJ45 Jack

Housing	ABS, UL 94V-0
Contact Bracket	PC, UL 94V-2
Colors	Black, White, Blue

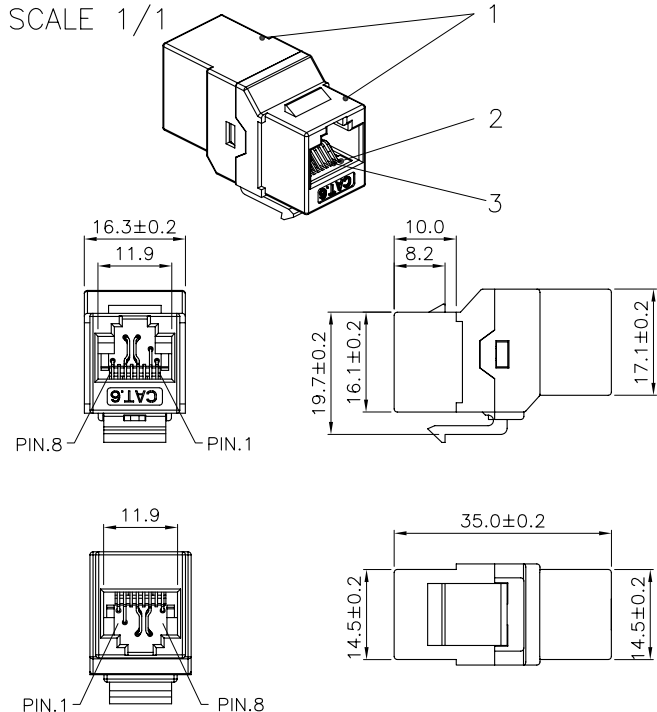
RJ45 Jack Contact

Material	Phosphor Bronze, Nickel Plated
Finish	50micro inch Gold plated on Plug contact area
PCB	FR4, UL 94V-0

Performance:

Insertion Force	20N max (IEC 60603-7-4)
Retention Strength	7.7kg between Jack and Plug
Operating Temp	-10°C - 60°C (ISO/IEC 11801, ANSI/TIA/EIA 568B.2)
Life (mating cycles)	750 cycles min (ISO/IEC 11801, IEC 60603-7-4)
Transmission Performance	ANSI/TIA/EIA 568B.2 Standard

SCALE 1/1



VERTICAL CABLE

951.696.7772 California
800.749.2447 Florida
845.391.8318 New York



www.verticalcable.com

Rev. 10/2016

Subject to change without notice