

# CAT6A SHIELDED KEYSTONE COUPLER

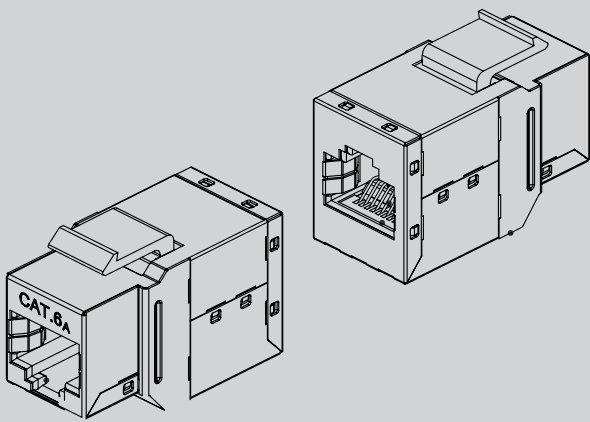


## DESCRIPTION

CAT6A Shielded Keystone Coupler

## FEATURES

- Keystone Coupler for CAT6A applications
- Snaps in and out of blank patch panels
- Flexible tab allows for quick installation



## SKU: 303-K Series

### Material:

#### RJ45 Jack

Housing  
Contact Bracket

ABS+PC, UL 94V-0  
PC, UL 94V-2  
Bronze with Nickel plated

#### RJ45Jack Shield

#### RJ45Jack Contact

Material  
Finish

Phosphor Bronze, Nickel Plated  
50micro inch Gold plated  
on Plug contact area  
FR4, UL 94V-0

PCB

### Performance:

Insertion Force  
Retention Strength  
Operating Temp

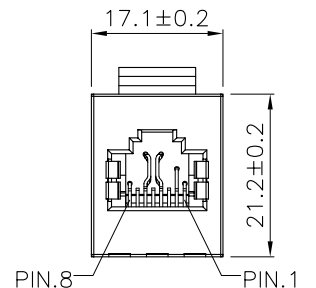
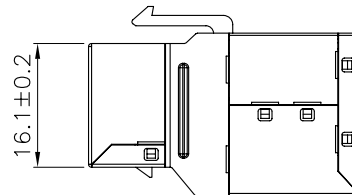
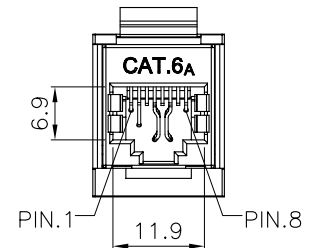
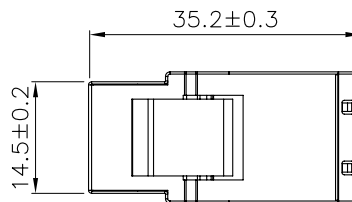
30N max (IEC 60603-7-4)  
7.7kg between Jack and Plug  
-10°C - 60°C (ISO/IEC 11801,  
ANSI/TIA/EIA 568B.2)

Life (mating cycles)

750 cycles min (ISO/IEC 11801,  
IEC 60603-7-5)

Transmission Performance

ANSI/TIA/EIA 568C.2 0G &  
ISO/IEC 11801 standard



**VERTICAL CABLE**

951.696.7772 California  
800.749.2447 Florida  
845.391.8318 New York

[www.verticalcable.com](http://www.verticalcable.com)

Rev. 08/2018

Subject to change without notice